

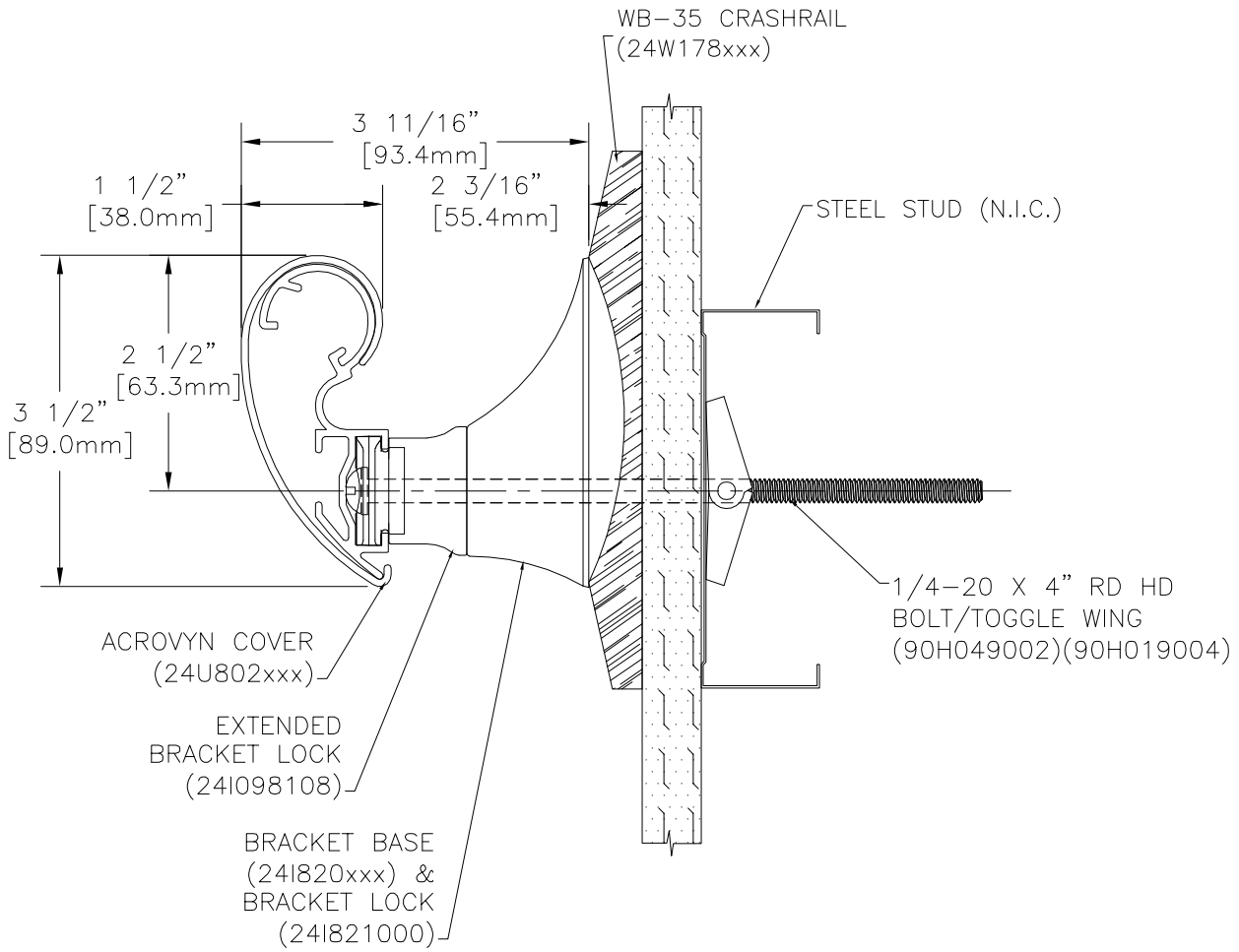
COLOR:
 COLOR TO BE SELECTED FROM ONE OF C/S STANDARD COLORS. CUSTOM COLORS ARE AVAILABLE, BUT SUBJECT TO QUANTITY MINIMUMS. OPTIONAL ACCENT REVEALS ARE AVAILABLE AT ADDITIONAL COST.

WOOD SPECIES: _____
FINISH: _____

PLEASE ADVISE WOOD SPECIES AND WOOD FINISH. REFER TO C/S CATALOG FOR OPTIONS.


TOTAL L/F REQ'D	LEFT END CAPS	RIGHT END CAPS	90° INSIDE CORNERS	90° OUTSIDE CORNERS

NOTE TO PLANNING:
 LISTED QUANTITIES WILL APPLY FOR HRB-35 & WB-35 EQUALLY. INSIDE & OUTSIDE CORNERS FOR WB-35 ARE FIELD MITERED, THEREFORE THEY ARE TO BE EXCLUDED.



HRBW-35N

WALL CONDITION	SPECIFIED FASTENER	DRILL DIAMETERS		C/S PART NUMBER
		WALL	RETAINER	
STEEL STUD/GYPSUM WALL	1/4-20 X 5" RD. HD. BOLT/TOGGLE WING	3/4"	N/A	90H049002
CONCRETE/CONC. BLOCK	#14 X 4" PH. RD. AP SCREW	7/32"	N/A	90H225002
WOOD STUD/GYPSOM WALL	#14 X 4" PH. RD. AP SCREW	7/32"	N/A	90H225002

 <p>Construction Specialties™ 895 Lakefront Promenade Mississauga, ON L5E 2C2 (888) 895-8955 · Fax (905) 274-6241 · www.c-sgroup.com</p>	PROJECT:		REV. :
	LOCATION:		F&F:
	CUSTOMER:		SHEET OF
	AGENT:		JOB NO.
	DWG. BY:	DATE:	