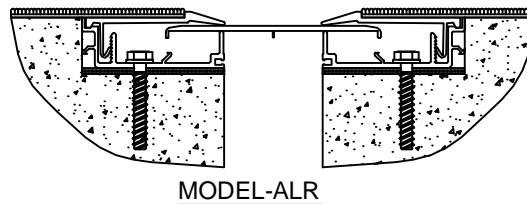
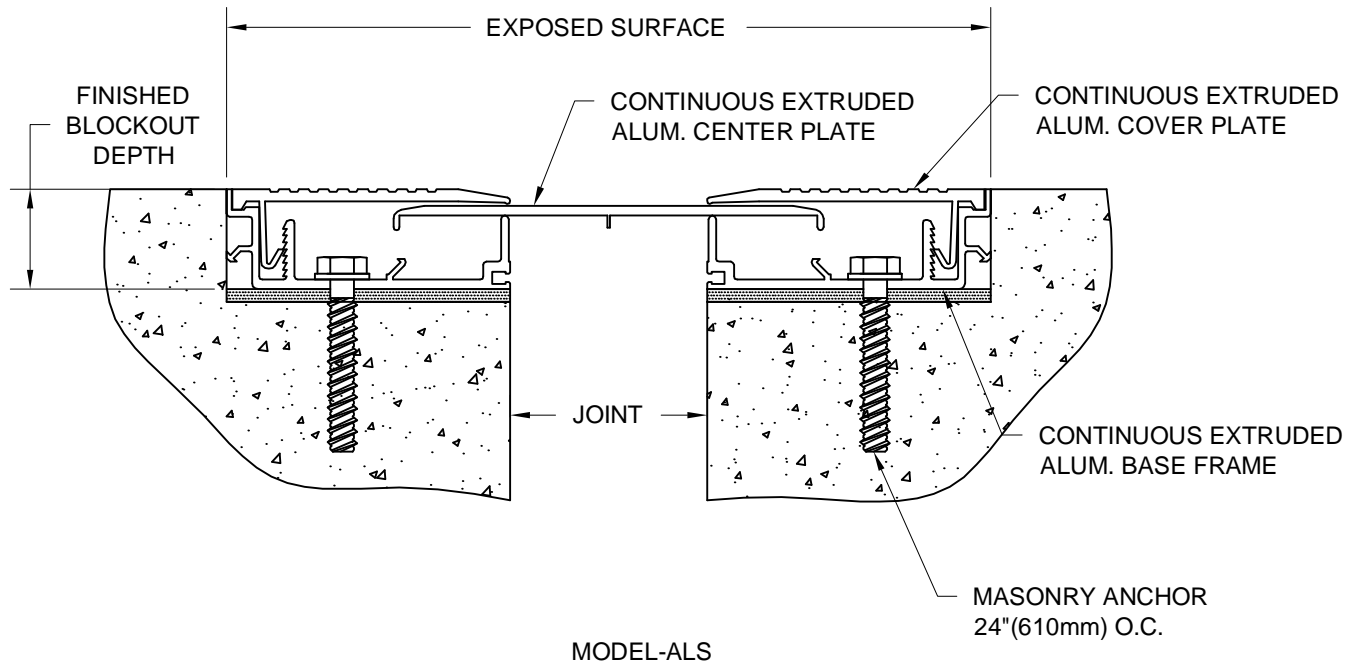


MODEL ALS/ALR-100 THRU 400 ALSM/ALRM INSTALLATION INSTRUCTIONS



IMPORTANT INFORMATION

Prior to the commencement of Installation, all materials **MUST** be inspected for Damage. Any damage must be reported to CONSTRUCTION SPECIALTIES, INC., as soon as possible, so that replacement materials may be furnished without delay.

All work must be completed as per Architect's Approved "Shop Drawings", and in accordance with these Installation Instructions. When installation is complete, all materials must be protected from damage until the Architect's FINAL INSPECTION.

All materials should be arranged in the order that they are to be installed. All hardware required for each portion of the work should be placed with the appropriate materials.

Please review all Approved Shop Drawings and this Document to familiarize yourself with all the details and components of this assembly.

IMPORTANT:
READ THROUGH ALL INSTRUCTIONS PRIOR TO STARTING INSTALLATION

9/16/09



Construction Specialties™

6696 Route 405 Highway, Muncy PA 17756
(800) 233-8493 . Fax (570) 546-5169 . www.c-sgroup.com

This document is the property of Construction Specialties, Inc. and contains CONFIDENTIAL PROPRIETARY INFORMATION that is not to be disclosed to third parties and is not to be used without approval in writing from Construction Specialties, Inc.

Notes:

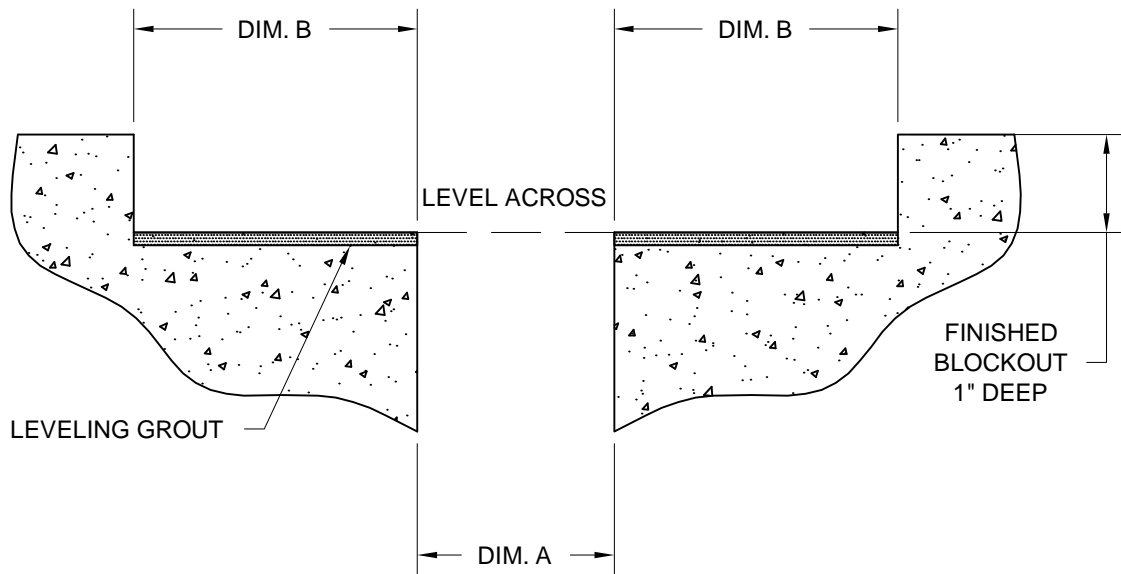
Before beginning installation, review the architectural drawings and approved Construction Specialties Inc. shop drawings to familiarize yourself with the appropriate joint cover models and locations.

Check all the joint cover components to confirm that the correct joint cover model and size have been received. Also, check for materials that may have been damaged during shipping. Report all incorrect and/or damaged components to C/S at 800-233-8493.

Read through all the steps of these instructions prior to beginning work.

STEP 1

PREPARE BLOCKOUTS

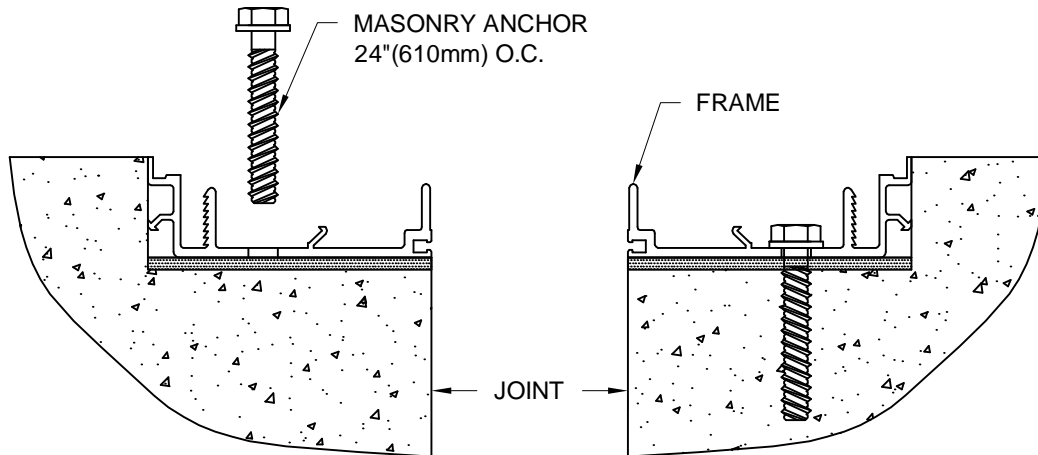


BLOCKOUT DIMENSIONS	
DIM. A	DIM. B
1" [25.4mm]	2" [50.8mm]
2" [50.8mm]	2-7/8" [73.025mm]
3" [76.2mm]	3-7/8" [98.425mm]
4" [101.6mm]	3-7/8" [98.425mm]

- 1.1) The blockouts must be prepared to receive the joint cover.
- The blockout width (Dim. B) will vary with model as indicated above or as noted on the C/S shop drawings.
 - For Model ALS the blockout depth will typically be 1" (25.4mm). However, the depth may be adjusted as needed to accommodate a floor finish material when required and as indicated on the architectural drawings and/or C/S shop drawings.
 - For Model ALR the blockout depth is to be 1" (25.4mm).
 - It is recommended that the blockout be formed a minimum of 1/8" deeper to allow the blockouts to be leveled for installation of the joint cover.
 - Apply a high-strength leveling grout to the base of the blockouts to provide a continuous, solid, flat and level base for the joint cover. (Note: The blockouts must be level across the width of the joint.)

STEP 2

BASE FRAME INSTALLATION



Note:

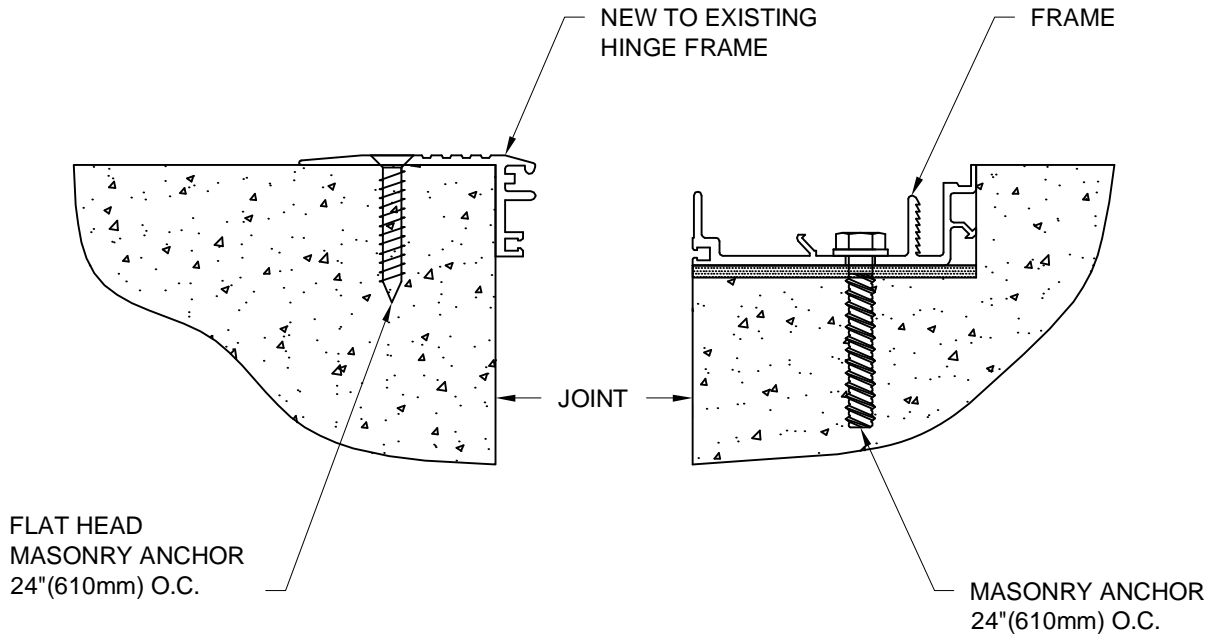
- If a C/S Fire Barrier is to be installed in the joint, please review the Fire Barrier Installation Instructions supplied, and if required install the Fire Barrier **BEFORE** installation of C/S Seismic Expansion Joint Aluminum Frames.
- If a Waterstop is to be installed in the joint, please review the Waterstop Installation Instructions supplied, and if required install the Waterstop **BEFORE** installation of C/S Seismic Expansion Joint Aluminum Frames.

STEP 2:

- 2.1) Begin installation of the Frame by placing a length of Frame into the blockout. Cut the Frame to length as needed. The Frame is to sit level, flat and parallel to the edge of the joint. The Frame should not overhang the edge of the slab or sit above the top surface of the slab.
- 2.2) Using the Frame as a template, mark the locations in the blockout for the anchor bolts. Remove the Frame and drill the holes for the anchor bolts. The holes are to be drilled with the appropriate size and type of drill bit as indicated by the manufacturer of the anchor bolts, as supplied by C/S.
- 2.3) Reposition the Frame and anchor the Frame to the slab with the C/S supplied anchor bolts following the manufacturer's guidelines.
- 2.4) Repeat the installation procedures for any additional lengths of Frame or the Frame at the opposite side of the joint if required.

STEP 3

OPTIONAL FRAME INSTALLATION



NEW TO EXISTING

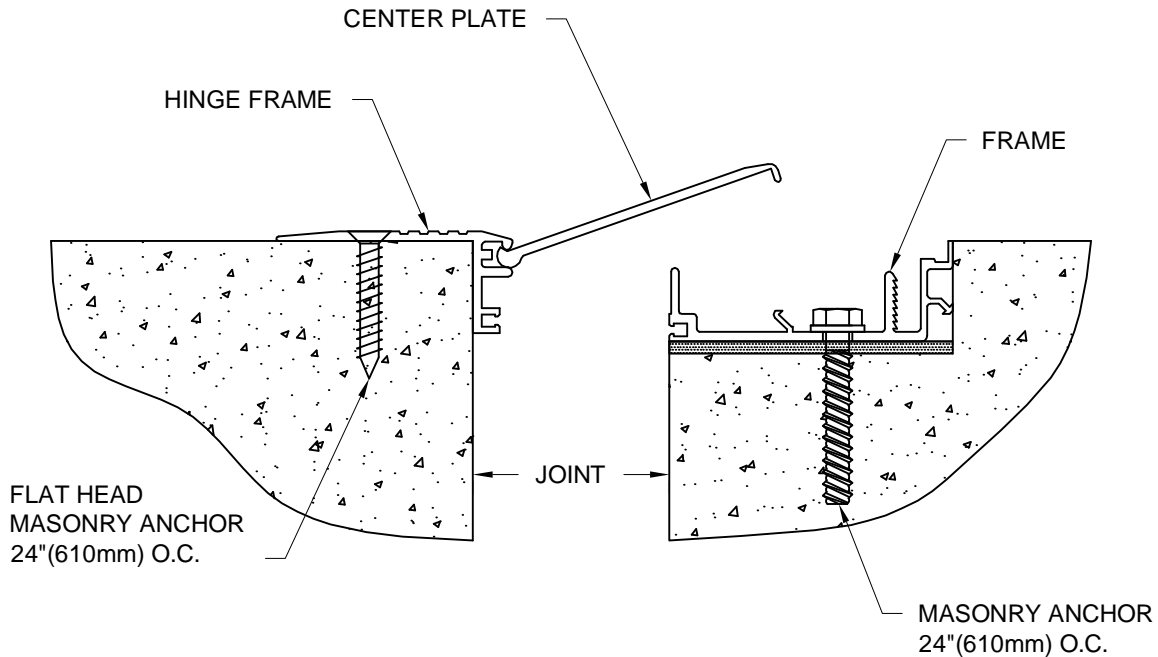
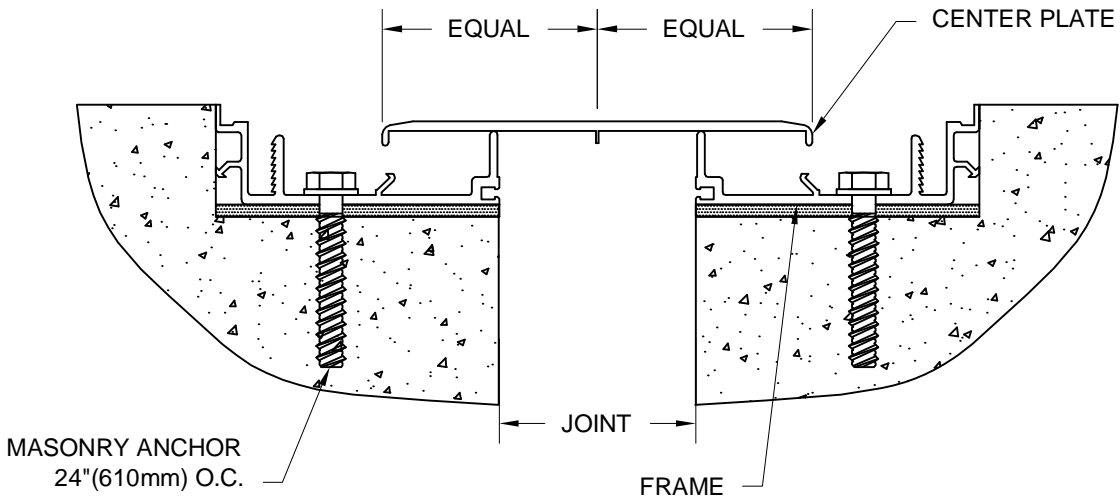
STEP 3:

New to Existing Applications

- 3.1) Begin installation of the Hinge Frame by placing a length of Frame on the corner of floor slab as shown above. The Hinge Frame is to sit level, flat and parallel to the edge of the joint.
- 3.2) Using the Frame as a template, mark the locations of the Frame anchor bolts.
- 3.3) Remove the Frame and drill the holes for the anchor bolts. **Note:** The holes are to be drilled with the appropriate size and type of drill bit as indicated by the manufacturer of the anchor bolts.
- 3.4) Reposition the Hinge Frame and anchor the Frame to the slab with the C/S supplied anchor bolts following the manufacturer's guidelines.
- 3.5) Repeat for additional lengths of Hinge Frame as needed.

STEP 4

CENTER PLATE INSTALLATION



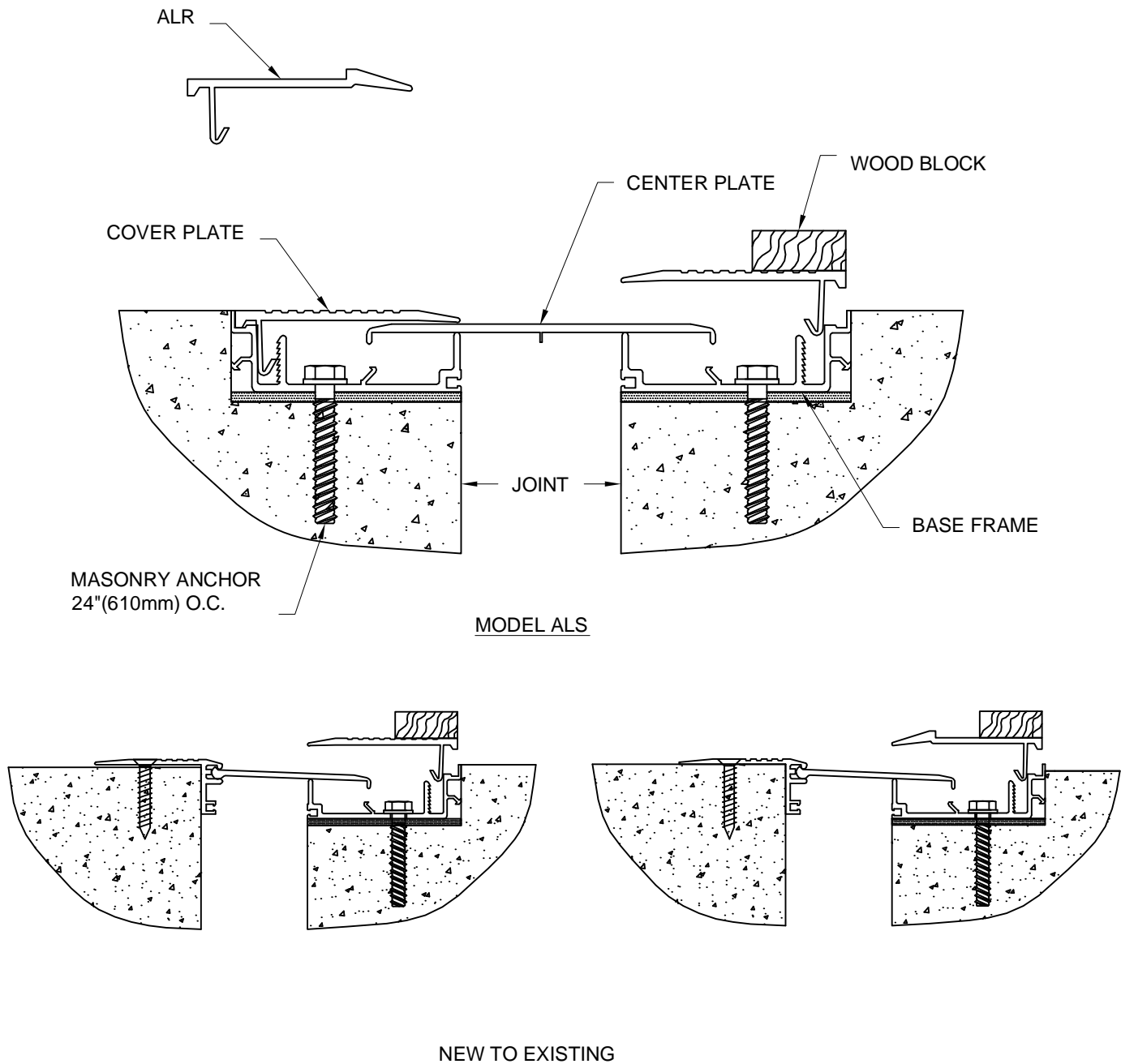
NEW TO EXISTING

STEP 4:

- 4.1) Install the ALS/ALR Center Plate by placing it on top of the Frame, keeping it centered over the joint, as shown above.
- 4.2) Install the New To Existing Center Plate by holding the plate at approx. a 45° angle and insert the Hinge end of the Plate into the slot of the Hinge Frame. Then rotate the Center Plate down to rest on the Frame.

STEP 5

COVER PLATE INSTALLATION

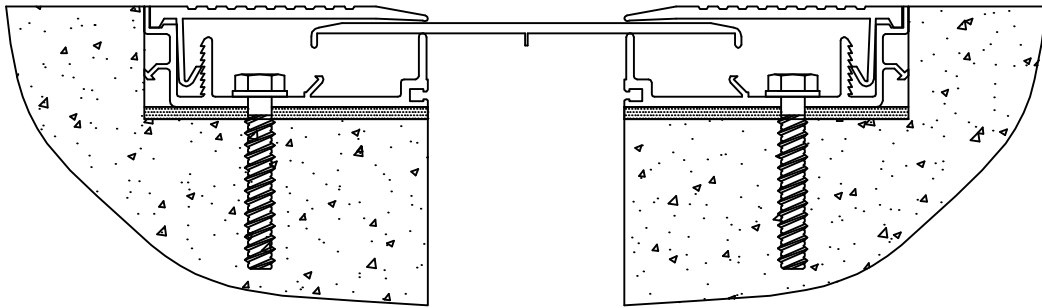


STEP 5:

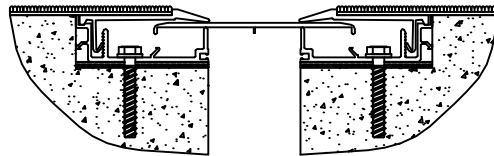
- 5.1) Begin installation of the Cover Plates by aligning one length of the Cover Plate with the end of the installed Frame. Align the "J-Hook" on the underside of the Cover Plate with the locking channel of the Frame.
- 5.2) Place a wood block on the top of the Cover Plate over the "J-Hook" area. While holding the Cover Plate somewhat level, use a rubber mallet to strike the wood block and drive the "J-Hook" into the locking channel. (Note: Do not hammer directly on the Cover Plates as this may cause damage to the Cover Plate.)
- 5.3) Work down along the length of the Cover Plate driving the "J-Hook" approx. half of the way in. Then return and drive the Hook the remainder of the way in until the Cover Plate is seated against the Frame.
- 5.4) Repeat these procedures for any additional lengths of Cover Plate.

STEP 6

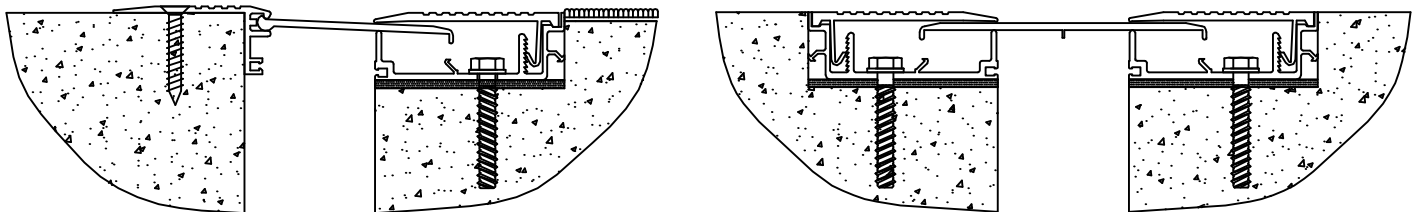
COMPLETE INSTALLATION



MODEL ALS



MODEL ALR



NEW TO EXISTING

STEP 6:

- 6.1) When installation of the C/S Floor Expansion Joint Cover has been completed, remove all residue and foreign matter from the area and joint cover.
- 6.2) Clean the C/S Joint Cover and the adjoining surface with proper cleaner.
- 6.3) Protect the Joint Cover until the Architect's final inspection.