

## ASM & ASMC Series

### Technical Data:

#### Aluminum

- Extrusion – C/S uses multiple alloys & tempers which are established to be the most appropriate for the given use of individual parts. Will be one of the following: (6063-T5, T6, T52) (6061-T5, T6, T51) (6105-T5, T6) (6005-T5) (6005A-T5, T6), ASTM B221

#### Duroflex Gasket

- Single Durometer – 80 Shore A, ASTM D2000
- Color - Gray

### Product Description:

This surface mounted metal wall and ceiling cover is designed for applications where low maintenance or tamper proof applications are desirable.

### Use This Cover For:

- Wall & ceiling applications where low maintenance is desirable or for tamper-resistant applications.

### Performance Characteristics:

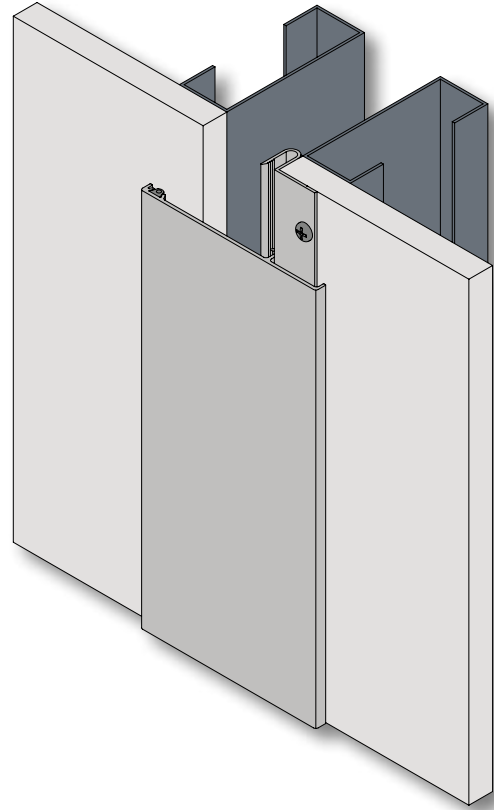
Free-floating aluminum center plate spans joint and slides over the surface of the wall to allow movement when required. Cover can be painted to match adjacent ceiling finishes.

### Standard Finishes:

Clear anodize finish. Kynar® painted top plates available.

### Installation Guidelines:

Install anchor clips with the anchor bolts as supplied by C/S. The cover plate engages a "J-Hook" and locking channel for attachment. For complete installation instructions, please visit [www.c-sgroup.com](http://www.c-sgroup.com).



MODEL	JOINT WIDTH	MINIMUM OPENING	MAXIMUM OPENING	EXPOSED SURFACE	BLOCKOUT WIDTH	BLOCKOUT HEIGHT
ASM-100	1.00" (25mm)	0.38" (10mm)	1.50" (38mm)	3.13" (80mm)	N/A	N/A
ASM-200	2.00" (51mm)	0.38" (10mm)	3.00" (76mm)	4.63" (118mm)	N/A	N/A
ASM-300	3.00" (76mm)	0.38" (10mm)	6.00" (152mm)	7.63" (194mm)	N/A	N/A
ASM-400	4.00" (102mm)	0.38" (10mm)	6.00" (152mm)	7.63" (194mm)	N/A	N/A
ASMC-100	1.00" (25mm)	0.50" (13mm)	1.50" (38mm)	1.88" (48mm)	N/A	N/A
ASMC-200	2.00" (51mm)	0.50" (13mm)	3.00" (76mm)	3.38" (86mm)	N/A	N/A
ASMC-300	3.00" (76mm)	0.50" (13mm)	6.00" (152mm)	6.38" (162mm)	N/A	N/A
ASMC-400	4.00" (102mm)	0.50" (13mm)	6.00" (152mm)	6.38" (162mm)	N/A	N/A

