



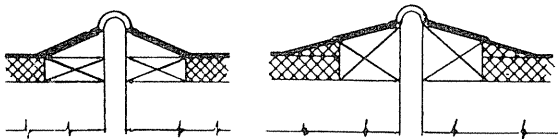
Manville Expand-O-Flash®

Patent No. RE25733

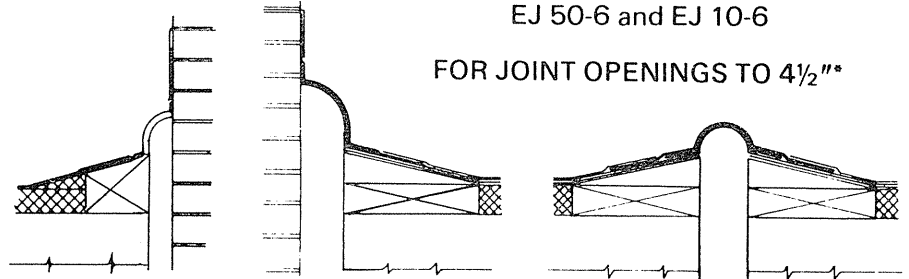
INSTALLATION INSTRUCTIONS - EJ

TYPICAL EJ INSTALLATIONS

EJ 50-4 and EJ 10-4
FOR JOINT OPENINGS TO 2½"*



EJ 50-6 and EJ 10-6
FOR JOINT OPENINGS TO 4½"*



PACKAGING

FOR TYPE "N"

Each carton contains one 50' roll or ten 10' flat lengths and one complete kit with all materials necessary for splicing.

FOR TYPE "E"

Each carton contains one 50' roll or ten 10' flat lengths and one complete kit with all materials necessary for splicing.

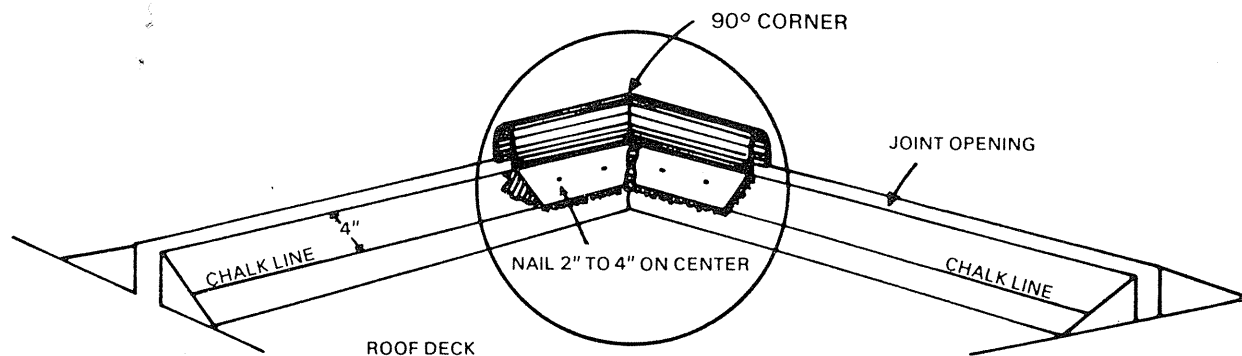
GENERAL INSTRUCTIONS

- Expand-O-Flash is installed only on the roof membrane.
- Where intersections are required, install these first.
- Always start straight runs at the roof edge or at intersections.
- Allow overhang at roof edge, equal to fascia depth.
- Cut slots in flanges at 25 ft. intervals for copper and stainless steel and at 50 ft. intervals for galvanized steel, then seal with splice strips.
- Leave ½" space between all rolls and intersections.
- Splice roll ends and intersections.
- Felt strip metal flanges on cant.
- Imbed metal strip on cant in Manville Industrial Roof Cement and cover with Industrial Roof Cement and felt strip.

INSTALLATION PROCEDURE ROOF TO ROOF

STEP 1.

Snap a chalk line 4" either side of the joint opening.
Locate all intersections (corners, tees and crossovers) cant to cant.
Install these intersections first. Trowel Manville Industrial Roof Cement to the chalk line at these locations and nail fittings in place.



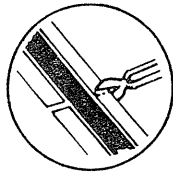
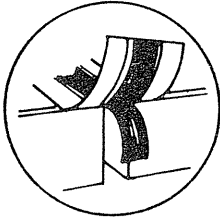
INSTALLATION PROCEDURE ROOF TO ROOF

STEP 2.

Trowel Manville Industrial Roof Cement on one side of the joint opening to the chalk line.

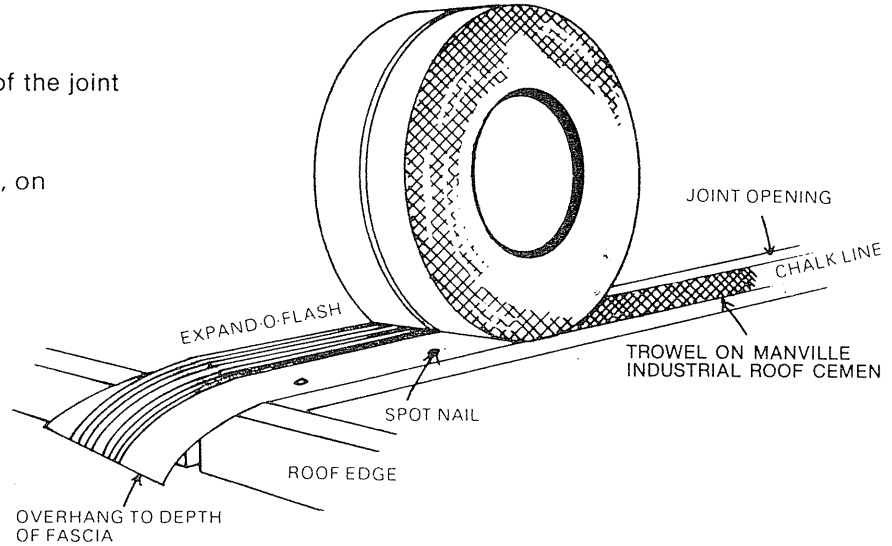
Place roll at roof edge—Set one flange, in position, on roofing cement to chalk line.

Roll out along chalk line and spot nail this flange.



Before turning down, slit foam insulation ONLY at roof edge. Peel from Neoprene backing and remove.

NOTE: CUT SLOT IN FLANGES EVERY 25' IN COPPER AND STAINLESS STEEL—FOR LONGITUDINAL EXPANSION

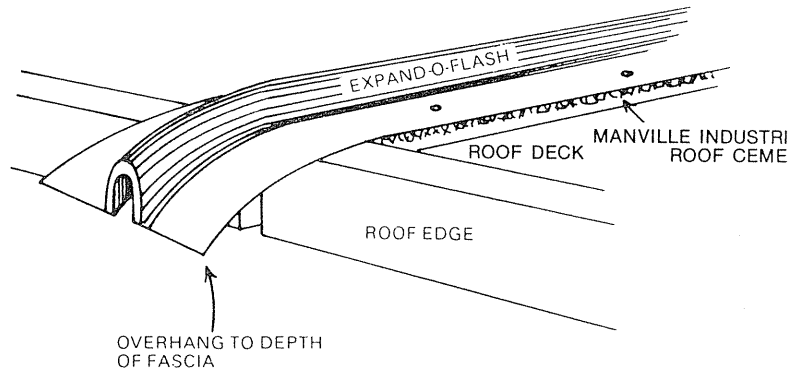


STEP 3.

Fold the loose side back over the nailed flange and trowel roofing cement to the other side of the opening to the chalk line.

Return Expand-O-Flash to its upright position over the joint. Squeeze the Neoprene into a bulge which will draw the metal flange to the chalk line.

Spot nail to hold in place.

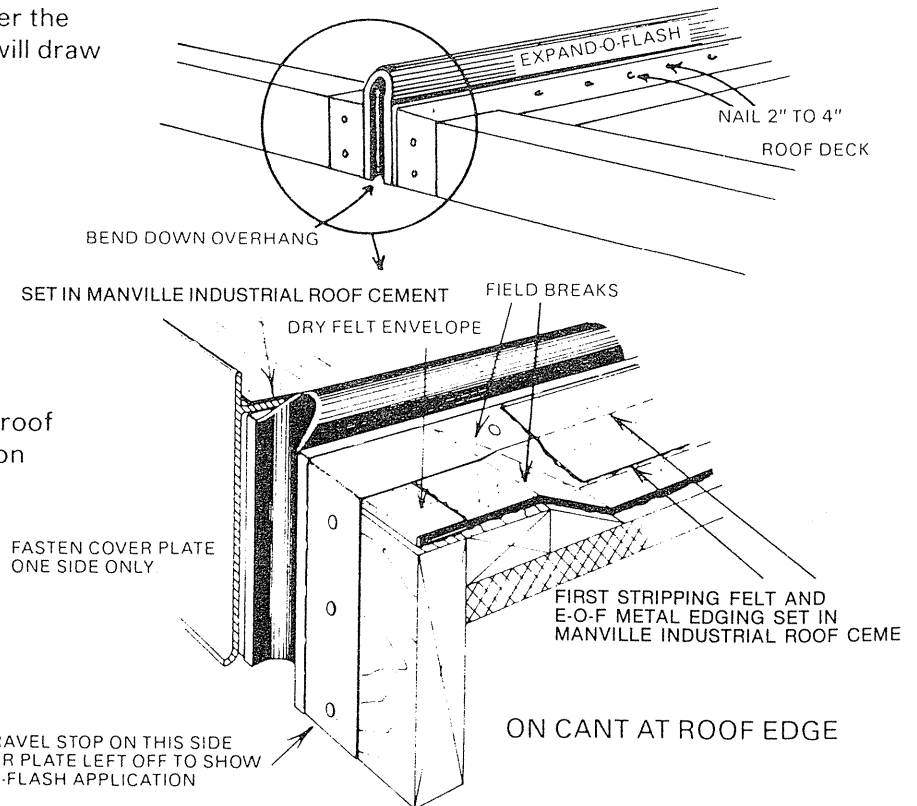


STEP 4.

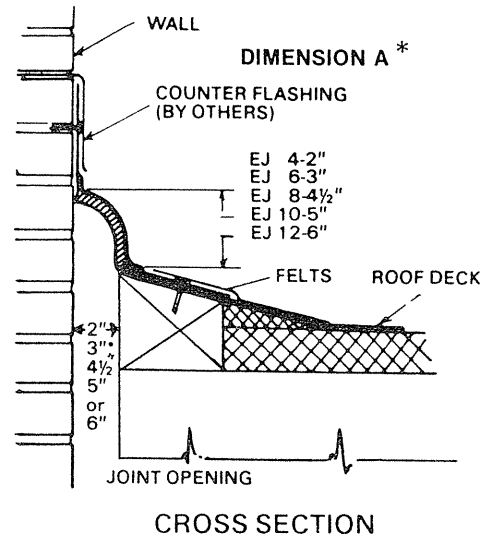
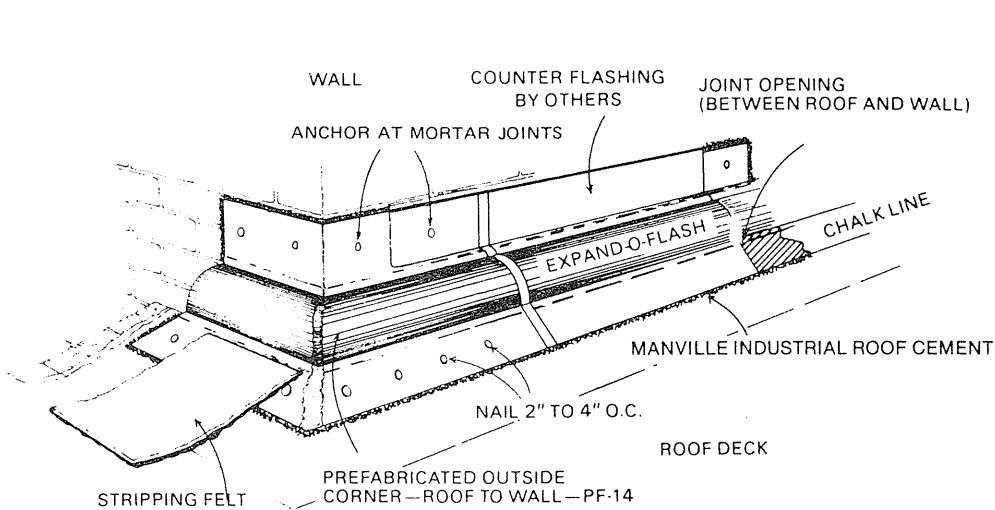
Nail both flanges 2"-4" on center, then return to roof edge and bend down overhang and nail in place on the wooden fascia support.

After several sections are in place start splicing.

SPLICING INSTRUCTIONS ON PAGE 4



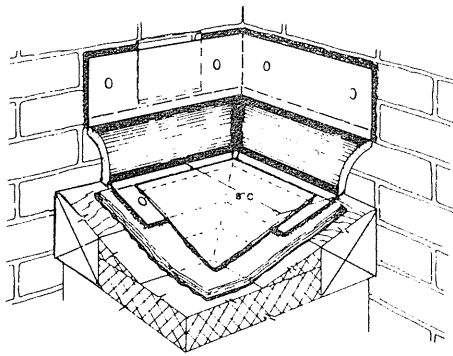
INSTALLATION PROCEDURE ROOF TO WALL



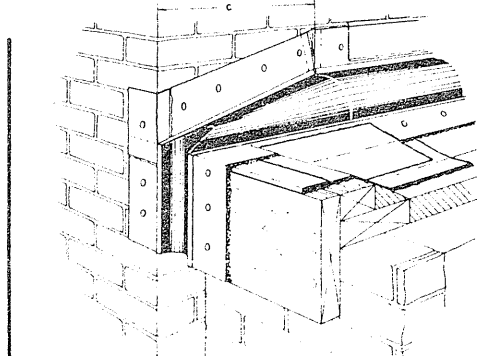
Locate all inside and outside corners (cant to wall) and install these first. (These fittings are prefabricated to fit against the wall. They are different from the standard 90 degree corner. They must be ordered as "inside and outside corners.")

- Snap a chalk line 4" from the joint opening on the cant.
- Trowel roofing cement to the chalk line at the corner location.
- Set the lower flange in the roofing cement to the chalk line.
- Nail the lower flanges in place on the cant.
- Straight runs of roof to wall—follow same procedure, leaving 1/2" between 50' lengths and the fittings.
- Nail 8" o/c on wall and 2"-4" on cant.
- Felt strip metal flanges on cant.

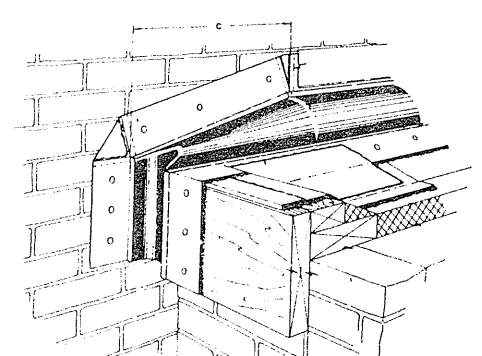
* The expansion joint bellows width dimension should be specified to allow for joint opening **plus** expected horizontal and vertical movement.



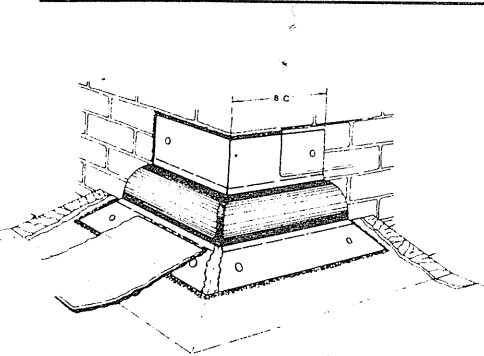
INSIDE CORNER PF-15
(Plant Fabricated)



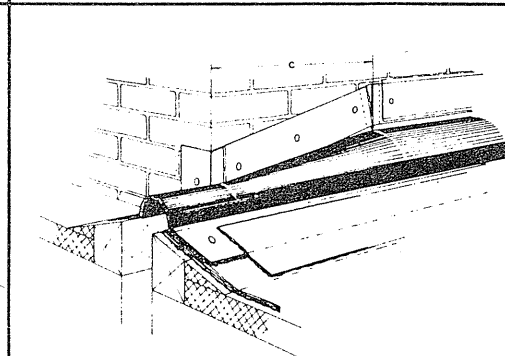
WALL ENDING FF-4
(Field Fabricated)



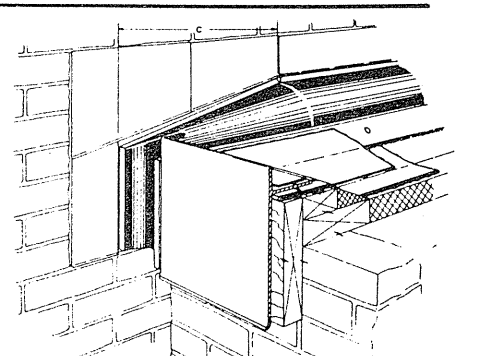
CONTINUING WALL FF-2
(Field Fabricated)



OUTSIDE CORNER
PF-4-4 PF-4-6
(Plant Fabricated)



WALL and ROOF
JOINT CONTINUING FF-5
(Field Fabricated)



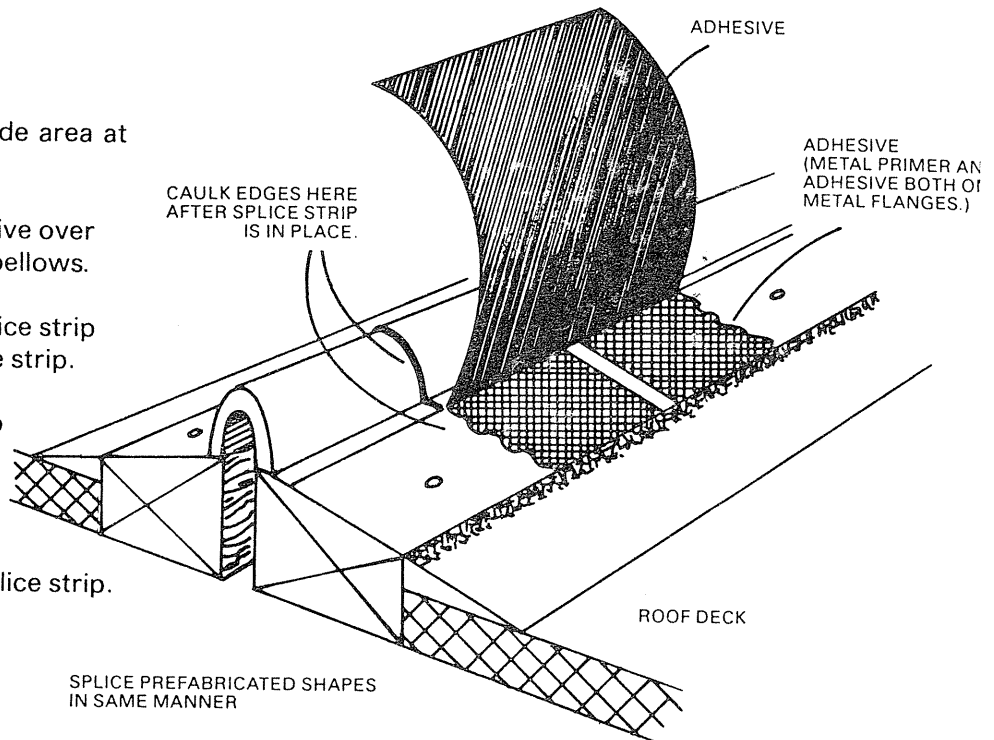
WITH COUNTERFLASHING FF-3
(Field Fabricated)

SPLICING INSTRUCTIONS

SPLICE ADJOINING SECTIONS, FITTINGS and SLOTTED AREAS AS FOLLOWS:

- Prime **metal flanges only over 7" wide area** at slot or joint.
- When metal primer is dry, brush adhesive over same area **INCLUDING** the Neoprene bellows.
- Remove polyethylene backing from splice strip and apply adhesive to that side of splice strip.
- When adhesive is dry, install splice strip (adhesive side down) firmly in place.
- Caulk edges of splice strip.

NOTE: Do not cut off extra length of splice strip.
(See Figure A Below)



STRIPPING INSTRUCTIONS

- Bed extra 4 inches (each side) of splicing strip in Manville Industrial Roof Cement and strip in as shown (I)
- Bed first felt strip in Manville Industrial Roof Cement, breaking it at the joints — see (J)
- Second felt strip may be set in Manville Industrial Roof Cement or mopped in — see (K)

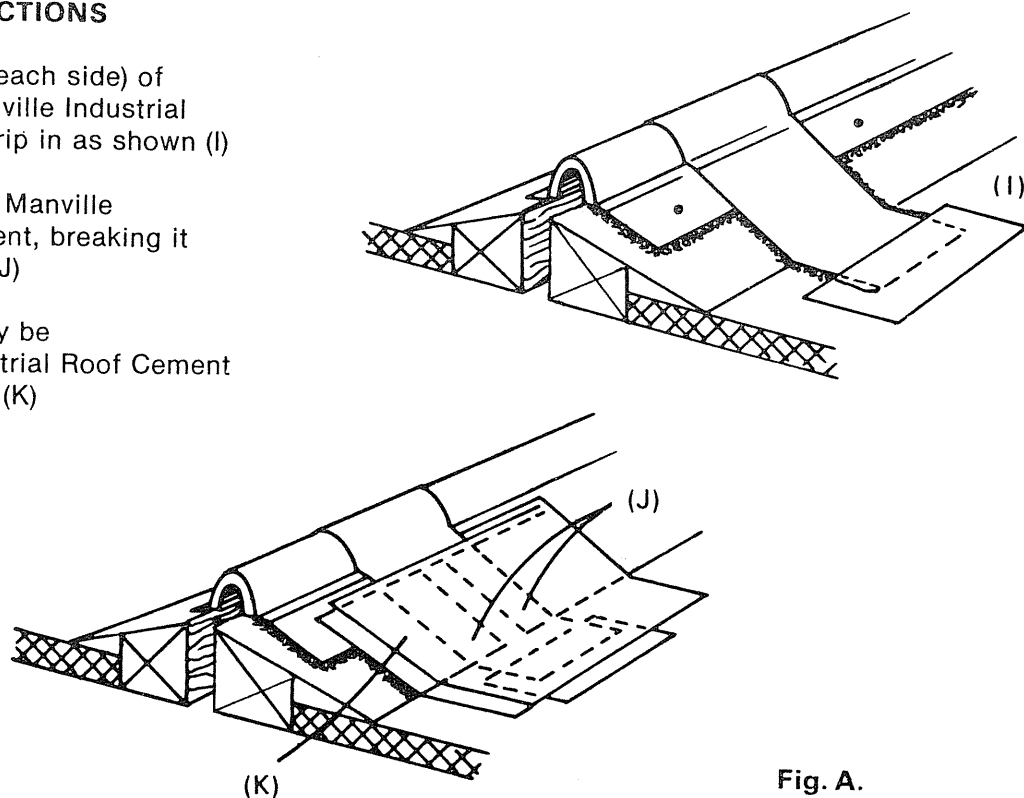


Fig. A.