

FCF & FCFC 700/1000 Series

Technical Data:

Aluminum

- Extrusion – C/S uses multiple alloys & tempers which are established to be the most appropriate for the given use of individual parts. Will be one of the following: (6063-T5, T6, T52) (6061-T5, T6, T51) (6105-T5, T6) (6005-T5) (6005A-T5, T61), ASTM B221

Primary Seal

- Single Durometer 70 Shore A, ASTM D2000
- Available in 4 colors.

Product Description:

This single gasket, flush ceiling cover is ideal for applications where minimal visual impact is preferred. These models are also designed to match select flush covers used in the wall.

Use This Cover For:

- Ceiling applications to align with and match select flush covers used on the wall.
- Suitable for acoustical tile ceiling construction – frame configuration available to suit flat and corner applications.
- Where hygiene is important.

Performance Characteristics:

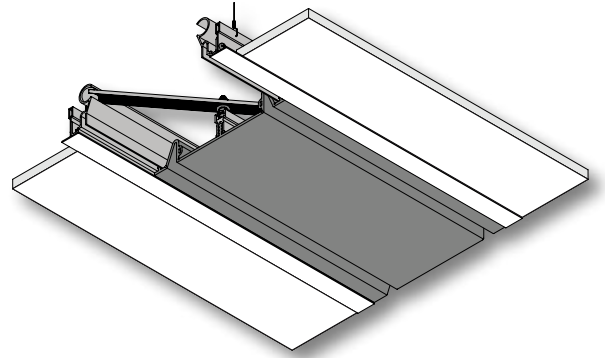
The Santoprene™ gasket has edges designed to lock into the aluminum retainers. This prevents hairline gaps from opening between the gasket and retainer ensuring a hygienic seal. The center section of the gasket flexes to allow full movement. The gaskets are supported with an aluminum center mullion and turnbars (7" and larger).

Standard Finishes:

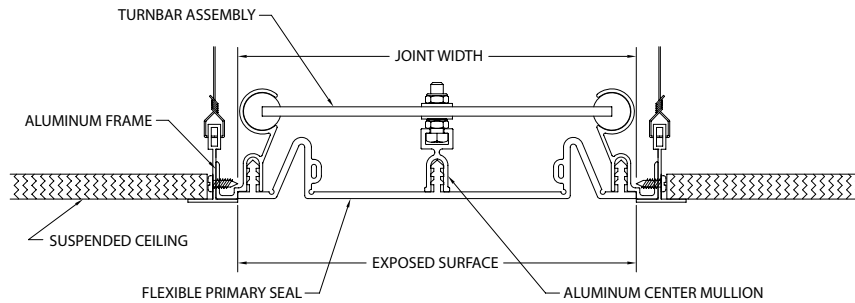
Mill finish on any exposed aluminum. Gasket is available in Black, White, Gray, & Greige.

Installation Guidelines:

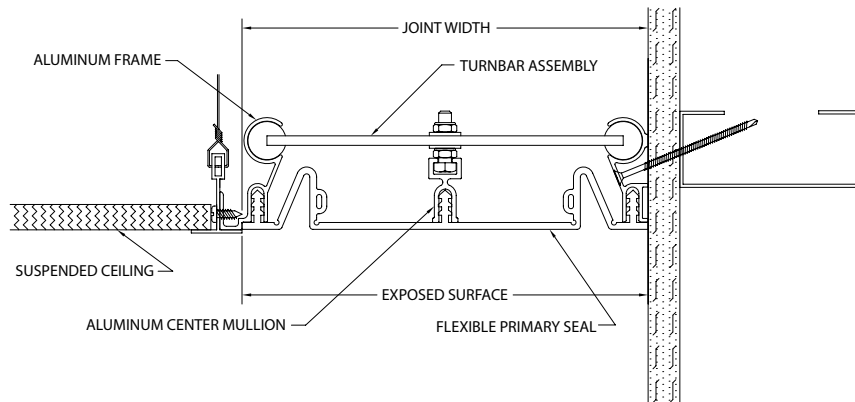
Attach the retainer to the ceiling with fasteners supplied by C/S. Insert the edges of the primary seal into the retainer. For the complete installation instructions, please visit www.c-sgroup.com.



MODEL	JOINT WIDTH	MINIMUM OPENING	MAXIMUM OPENING	EXPOSED SURFACE	BLOCKOUT WIDTH	BLOCKOUT HEIGHT
FCF-700	7.00" (178mm)	2.50" (64mm)	10.50" (267mm)	7.00" (178mm)	N/A	N/A
FCF-800	8.00" (203mm)	2.50" (64mm)	12.00" (305mm)	8.00" (203mm)	N/A	N/A
FCF-900	9.00" (229mm)	2.50" (64mm)	13.50" (343mm)	9.00" (229mm)	N/A	N/A
FCF-1000	10.00" (254mm)	2.50" (64mm)	15.00" (381mm)	10.00" (254mm)	N/A	N/A
FCFC-700	7.00" (178mm)	2.50" (64mm)	10.50" (267mm)	7.00" (178mm)	N/A	N/A
FCFC-800	8.00" (203mm)	2.50" (64mm)	12.00" (305mm)	8.00" (203mm)	N/A	N/A
FCFC-900	9.00" (229mm)	2.50" (64mm)	13.50" (343mm)	9.00" (229mm)	N/A	N/A
FCFC-1000	10.00" (254mm)	2.50" (64mm)	15.00" (381mm)	10.00" (254mm)	N/A	N/A



FCF



FCFC