

## FCS & FCSC 200/400 Series

### Technical Data:

#### Aluminum

- Extrusion – C/S uses multiple alloys & tempers which are established to be the most appropriate for the given use of individual parts. Will be one of the following: (6063-T5, T6, T52) (6061-T5, T6, T51) (6105-T5, T6) (6005-T5) (6005A-T5, T61), ASTM B221

#### Primary Seal

- Single Durometer 70 Shore A, ASTM D2000
- Available in 4 colors.

#### Product Description:

This single gasket, ceiling cover is ideal for applications where minimal visual impact is preferred. These models are also designed to match select wall covers.

#### Use This Cover For:

- Ceiling applications to align with and match select covers.
- Suitable for acoustical tile ceiling construction frame configuration variable to suit flat and corner applications.
- Where hygiene is important.

#### Performance Characteristics:

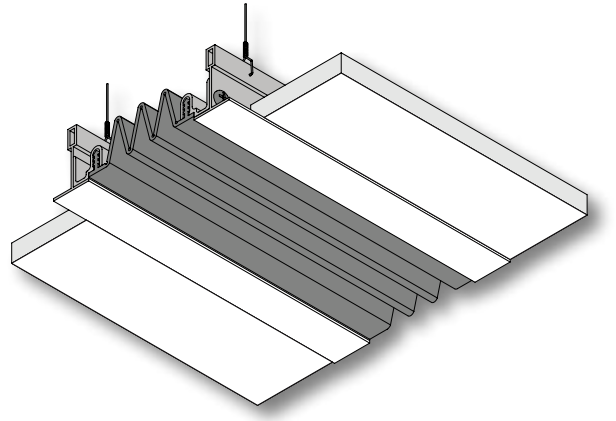
The Santoprene™ gasket has edges designed to lock into the aluminum side frames. This prevents hairline gaps from opening between the gasket and frame ensuring a hygienic seal. The center section of the gasket is ribbed to allow for movement up to 200%.

#### Standard Finishes:

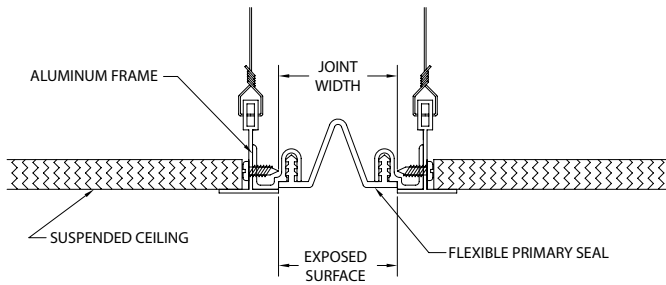
Mill finish on any exposed aluminum. Gasket is available in Black, White, Gray, & Greige.

#### Installation Guidelines:

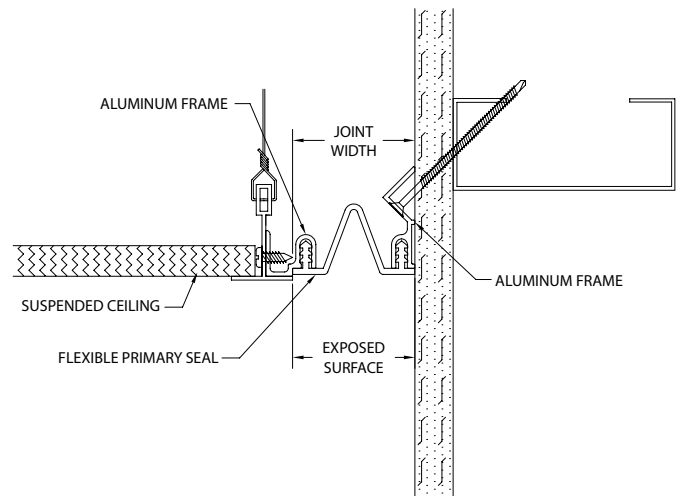
Attach the retainer to the ceiling with fasteners supplied by C/S. Insert the edges of the primary seal into the retainer. For the complete installation instructions, please visit [www.c-sgroup.com](http://www.c-sgroup.com).



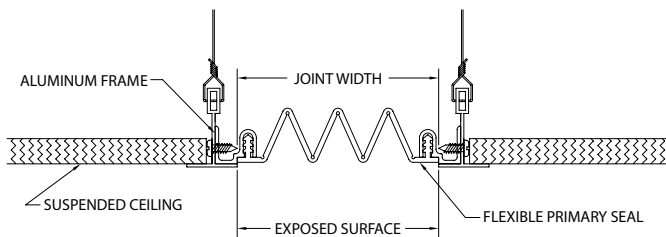
MODEL	JOINT WIDTH	MINIMUM OPENING	MAXIMUM OPENING	EXPOSED SURFACE	BLOCKOUT WIDTH	BLOCKOUT HEIGHT
FCS-200	2.00" (51mm)	1.25" (32mm)	4.00" (102mm)	2.00" (51mm)	N/A	N/A
FCS-300	3.00" (76mm)	1.25" (32mm)	6.00" (152mm)	3.00" (76mm)	N/A	N/A
FCS-400	4.00" (102mm)	1.25" (32mm)	8.00" (203mm)	4.00" (102mm)	N/A	N/A
FCSC-200	2.00" (51mm)	1.25" (32mm)	4.00" (102mm)	2.00" (51mm)	N/A	N/A
FCSC-300	3.00" (76mm)	1.25" (32mm)	6.00" (152mm)	3.00" (76mm)	N/A	N/A
FCSC-400	4.00" (102mm)	1.25" (32mm)	8.00" (203mm)	4.00" (102mm)	N/A	N/A



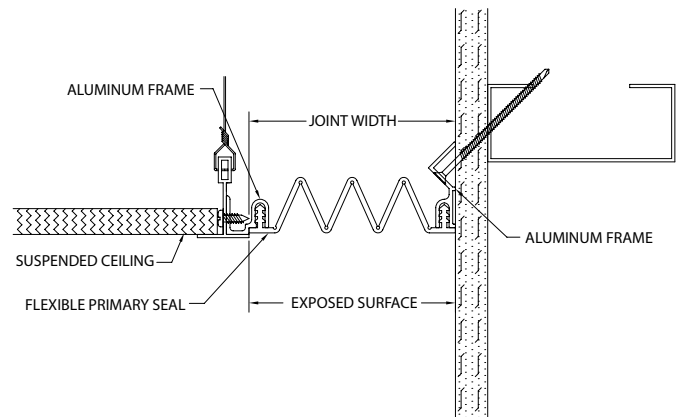
FCS-200



FCSC-200



FCS-300/400



FCSC-300/400