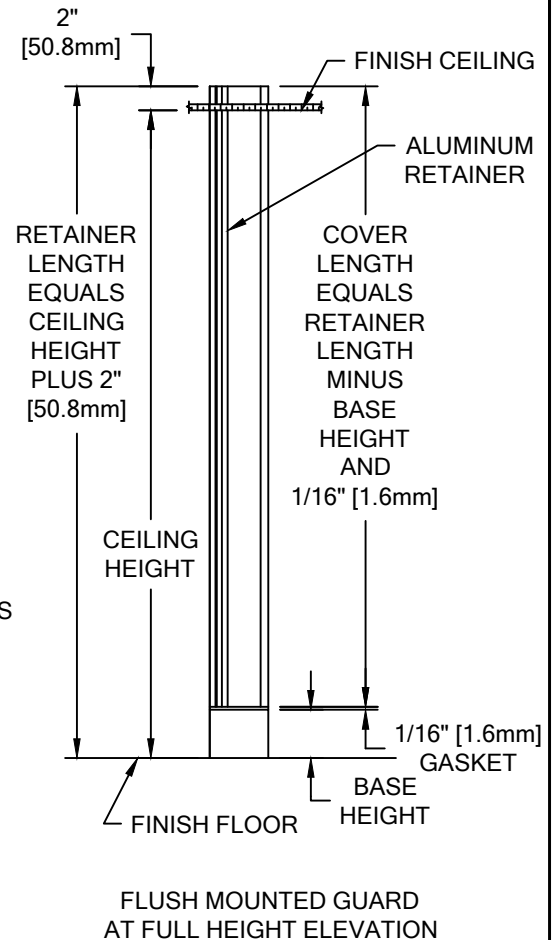
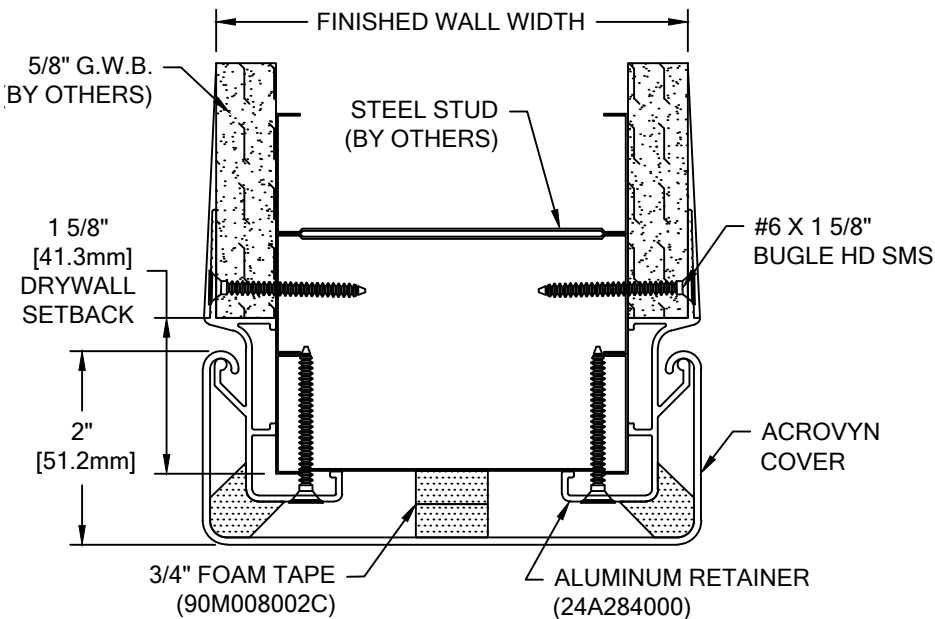



| | | | | | | |
|--|--------------|----------------|---------------|---------------|---------------|--------------|
| COLOR: CHANNEL GUARD: _____ COLOR TO BE SELECTED FROM ONE OF C/S STANDARD COLORS. | UNITS | CEILING | RET. | COVER | BASE | WALL |
| | REQ'D | HEIGHT | LENGTH | LENGTH | HEIGHT | WIDTH |
| NOTES: 1. UNITS TO BE FURNISHED IN LENGTHS TO ACCOMMODATE THE SPECIFIED CEILING HEIGHT, WITH 2" ADDED FOR FIELD VARIATIONS. WHERE POSSIBLE, THIS 2" SHOULD EXTEND INTO THE CEILING. 2. A MINIMUM 24 GA. CHANNEL STUD MUST BE SECURELY ANCHORED TOP AND BOTTOM TO INSURE POSITIVE ATTACHMENT OF ALUMINUM RETAINERS. IF TRUSS STUDS ARE USED, CHANNEL STUDS MUST BE USED AT CORNER. 3. MAXIMUM LENGTH FOR ACROVYN COVERS IS 9'-6". LENGTHS GREATER THAN THIS WILL BE MADE IN 2 PIECES. | | | | | | |
| | | | | | | |
| | | | | | | |



FSC-25N ACROVYN 4000

| WALL CONDITION | SPECIFIED FASTENER | DRILL DIAMETERS | | C/S PART NUMBER |
|----------------------|--|-----------------|----------|-----------------|
| | | WALL | RETAINER | |
| SINGLE LAYER DRYWALL | #6 X 1-5/8" BUGLE HEAD SHEET METAL SCREW | N/A | N/A | 90H079002 |
| DOUBLE LAYER DRYWALL | #8 X 3" BUGLE HEAD SHEET METAL SCREW | N/A | N/A | 90H857002 |

| | | |
|---|------------------|------------------|
|  Construction Specialties™ 6696 Route 405 Highway, Muncy PA 17756 (800) 233-8493 • Fax (570) 546-4692 • www.c-sgroup.com | PROJECT: | REVISION: |
| | JOB NO.: | F&F: |
| | CUSTOMER: | |
| | REP: | DATE: |
| | DRAWN BY: | SHEET NO: |