

FWF & FWFC 100/200 Series

Technical Data:

Aluminum

- Extrusion – C/S uses multiple alloys & tempers which are established to be the most appropriate for the given use of individual parts. Will be one of the following: (6063-T5, T6, T52) (6061-T5, T6, T51) (6105-T5, T6) (6005-T5) (6005A-T5, T61), ASTM B221

Primary Seal

- Dual Durometer 65 Shore-A, 90 Shore-A, ASTM D2000
- Available in 4 colors.

Product Description:

This single gasket, wall and ceiling cover is ideal for applications where minimal visual impact is preferred. These models are also designed to match select flush covers used in the floor.

Use This Cover For:

- Wall applications to align with and match select flush covers used in the floor.
- Suitable for G.W.B. wall and ceiling construction – retainer configuration variable to suit flat and corner applications.
- Where hygiene is important.

Performance Characteristics:

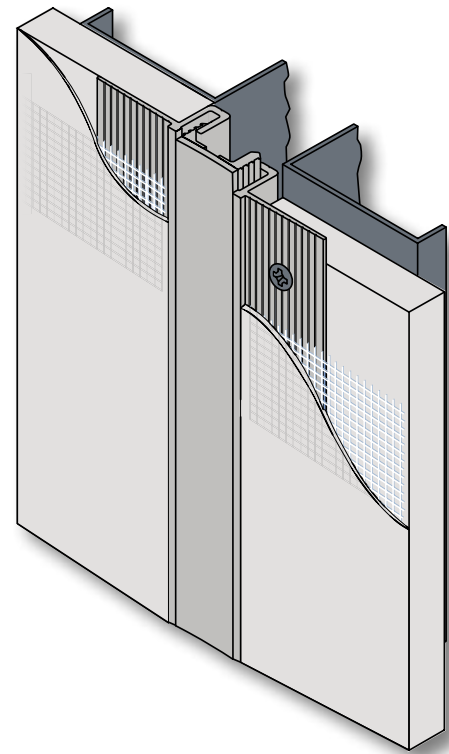
The dual durometer TPR gasket has rigid edges designed to lock into the aluminum retainers. This prevents hairline gaps from opening between the gasket and retainer ensuring a hygienic seal. The softer center section of the gasket flexes to allow full movement without the need for grooves in the surface which collect dirt.

Standard Finishes:

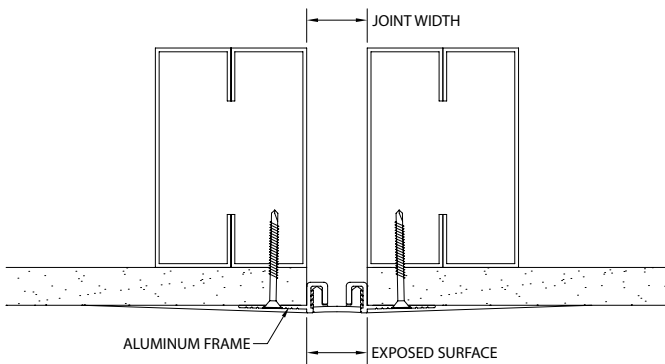
Mill finish on any exposed aluminum. Gasket is available in Black, White, Gray, & Greige.

Installation Guidelines:

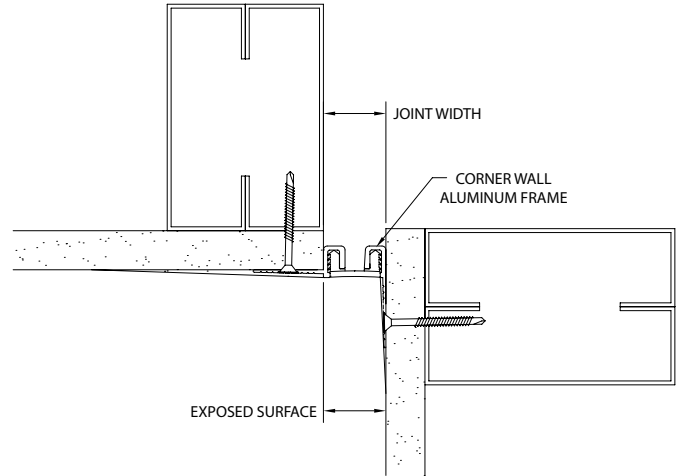
Attach the aluminum retainers to the wall using mechanical fasteners. Install gasket into the retainers if not factory installed. Tape the edges of the aluminum retainer and feather drywall cement to provide a smooth transition to the drywall. Apply the appropriate wall finish as required. For the complete installation instructions, please visit www.c-sgroup.com.



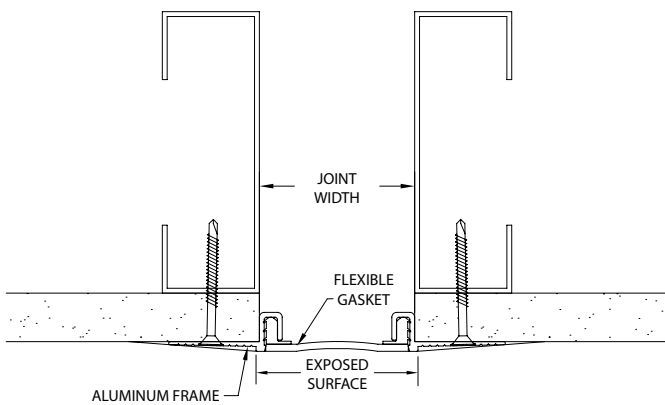
MODEL	JOINT WIDTH	MINIMUM OPENING	MAXIMUM OPENING	EXPOSED SURFACE	BLOCKOUT WIDTH	BLOCKOUT HEIGHT
FWF-100	1.00" (25mm)	0.60" (15mm)	1.25" (32mm)	1.06" (27mm)	N/A	N/A
FWF-200	2.00" (51mm)	0.60" (15mm)	2.50" (64mm)	2.06" (52mm)	N/A	N/A
FWFC-100	1.00" (25mm)	0.75" (19mm)	1.25" (32mm)	1.06" (27mm)	N/A	N/A
FWFC-200	2.00" (51mm)	0.75" (19mm)	2.50" (64mm)	2.06" (52mm)	N/A	N/A



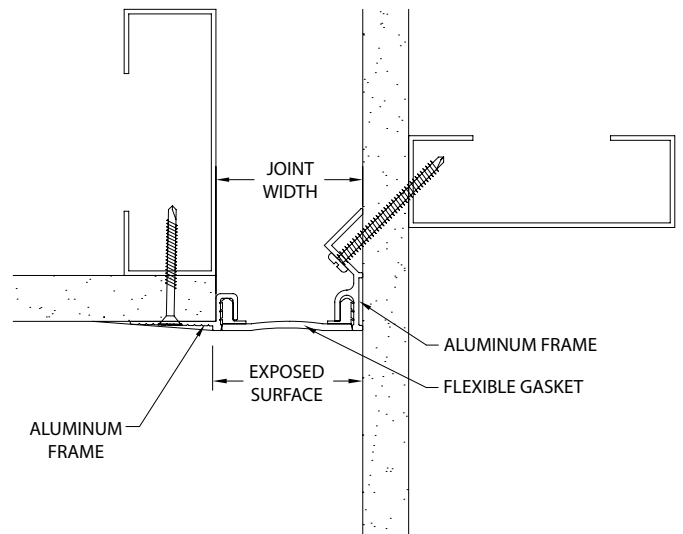
FWF-100



FWFC-100



FWF-200



FWFC-200