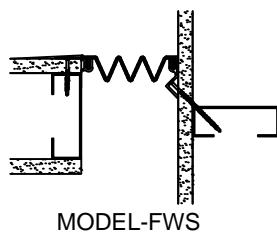
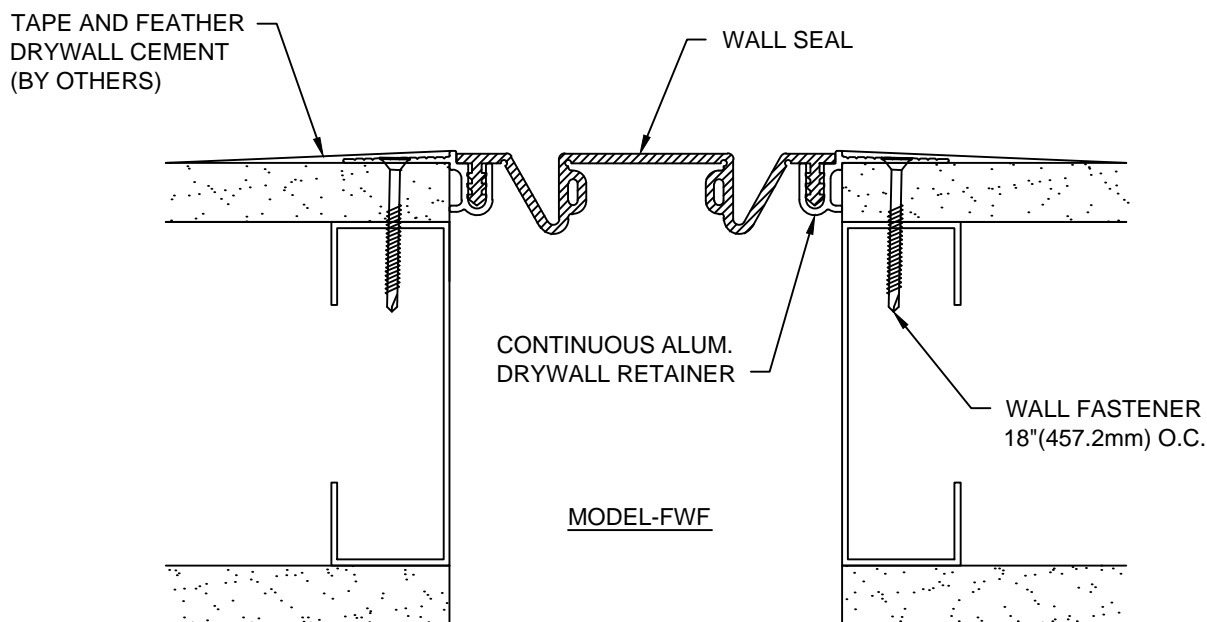


MODELS FWF/FWFC-300/500 & FWS/FWSC-200/400 INSTALLATION INSTRUCTIONS



IMPORTANT INFORMATION

Prior to the commencement of Installation, all materials **MUST** be inspected for Damage. Any damage must be reported to CONSTRUCTION SPECIALTIES, INC., as soon as possible, so that replacement materials may be furnished without delay.

All work must be completed as per Architect's Approved "Shop Drawings", and in accordance with these Installation Instructions. When installation is complete, all materials must be protected from damage until the Architect's FINAL INSPECTION.

All materials should be arranged in the order that they are to be installed. All hardware required for each portion of the work should be placed with the appropriate materials.

Please review all Approved Shop Drawings and this Document to familiarize yourself with all the details and components of this assembly.

IMPORTANT:

READ THROUGH ALL INSTRUCTIONS PRIOR TO STARTING INSTALLATION

7/10/14



Construction Specialties™

6696 Route 405 Highway, Muncy PA 17756
(800) 233-8493 Fax (570) 546-5169 www.c-sgroup.com

This document is the property of Construction Specialties, Inc. and contains CONFIDENTIAL PROPRIETARY INFORMATION that is not to be disclosed to third parties and is not to be used without approval in writing from Construction Specialties, Inc.

Notes:

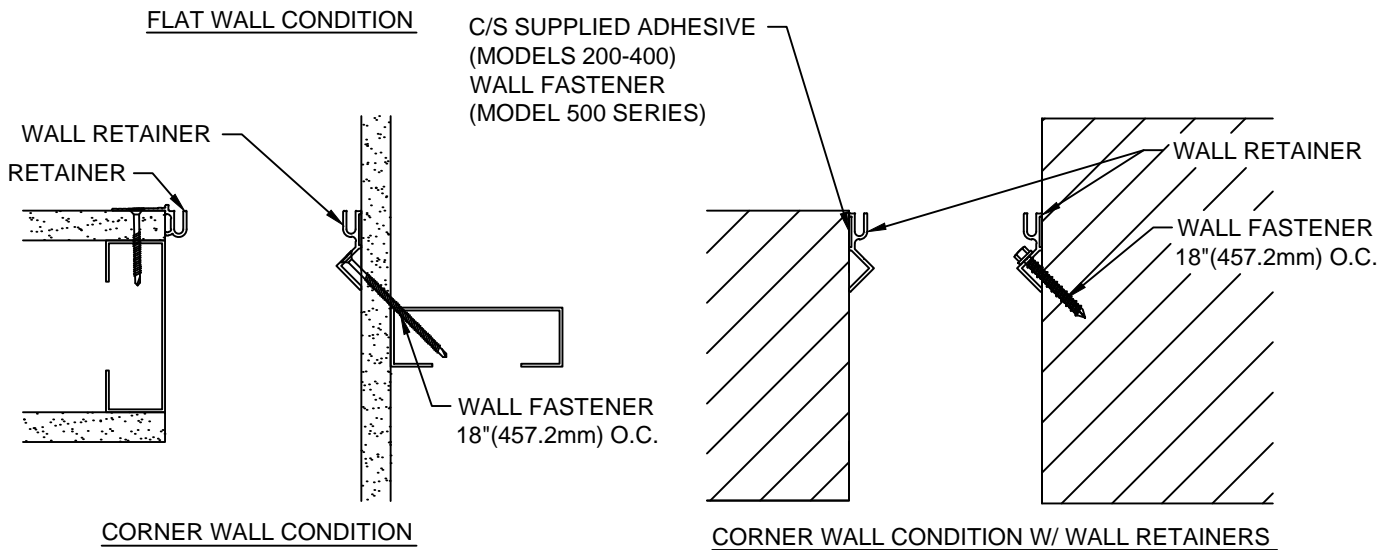
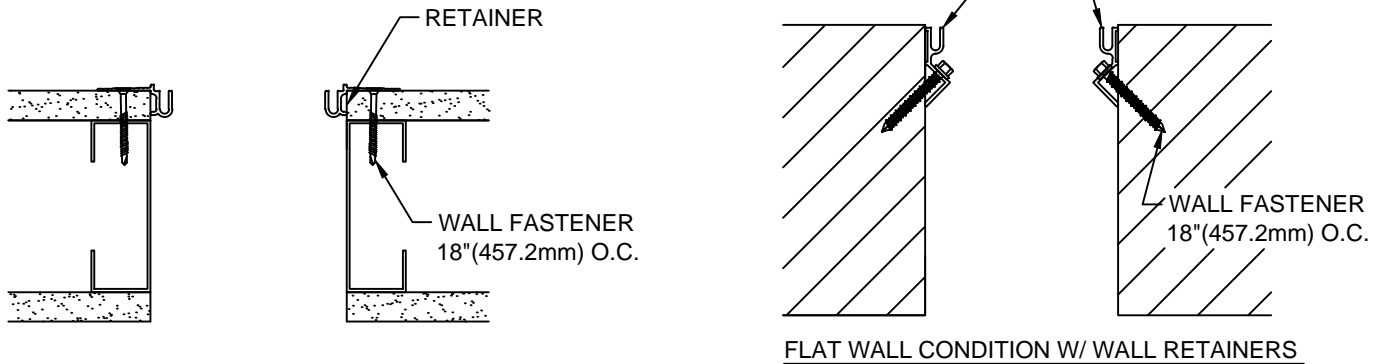
Before beginning installation, review the architectural drawings and approved Construction Specialties Inc. shop drawings to familiarize yourself with the joint cover models and locations.

Check all of the joint cover components to confirm that the correct joint cover model and size have been received. Also, check for materials that may have been damaged during shipping. Report all incorrect and/or damaged components to C/S at 800-233-8493.

Read through all the steps of these instructions prior to beginning work.

STEP 1

RETAINER INSTALLATION



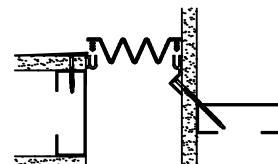
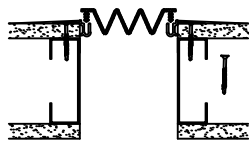
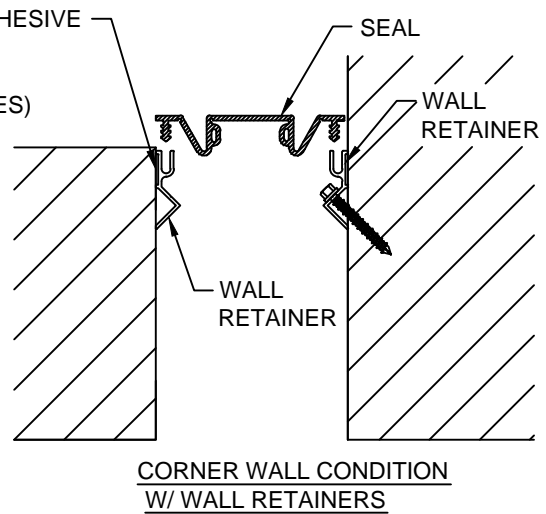
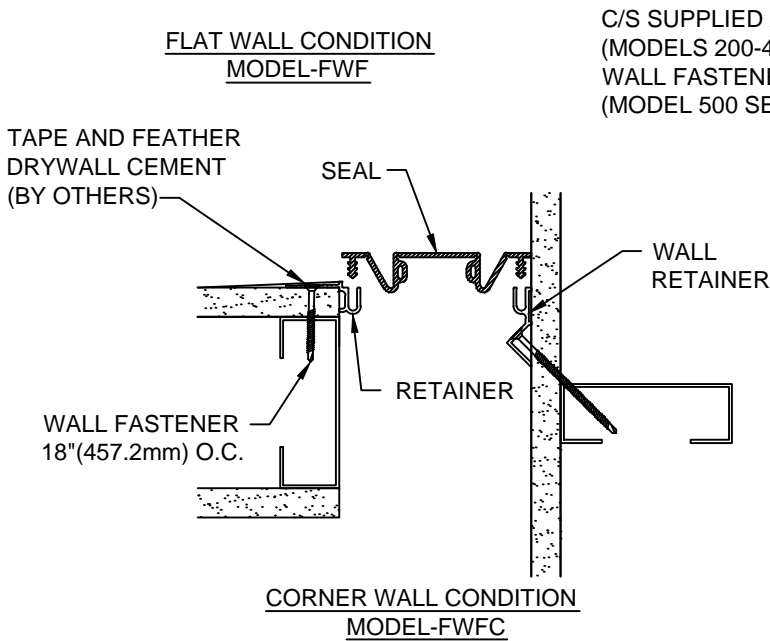
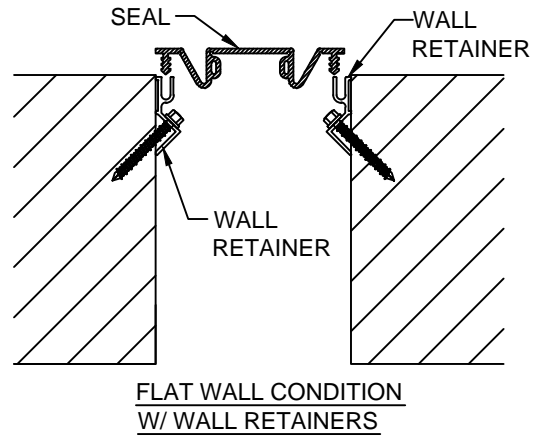
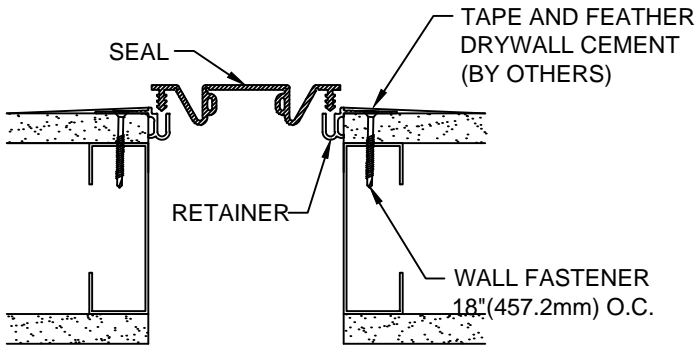
Note:

If a C/S Fire Barrier is to be installed in the joint, please review the Fire Barrier Installation Instructions supplied, and if required install the Fire Barrier **BEFORE** installation of C/S Expansion Joint aluminum frames.

- 1.1) Measure and cut the Retainer to the appropriate length.
- 1.2) Position the Retainer on the edge of the joint for drywall conditions and for masonry wall conditions place the retainer in the joint opening, as shown above.
- 1.3) Anchor the Retainer to the wall with the supplied fasteners and/or supplied adhesive. Note: depending on the wall construction, it may be necessary to pre-drill holes for the supplied fasteners. Repeat for installation of retainer for the other side of the expansion joint.
- 1.4) Corner wall conditions for joint sizes 2"-4" using wall retainers recessed into the joint opening, corner wall side fastened with wall fastener and the other retainer fastened with the supplied adhesive. Corner wall installations for joint sizes of 5" and larger fasten wall retainers with the supplied fasteners.

STEP 2

SEAL INSTALLATION

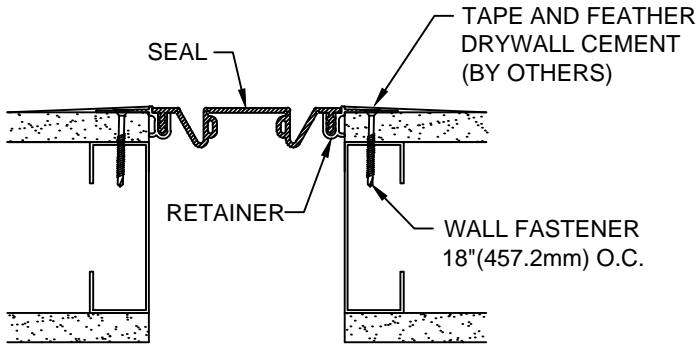


- 2.1) Determine the length of seal required for the applicable area and measure and mark the seal. Place the seal with the location to be cut into a Miter Box and flood the area to be cut with water to lubricate the Hacksaw blade. Using a hacksaw and the C/S supplied Serrated Hacksaw Blade, make the cut using long strokes while applying downward force when cutting. The cut should be made with as few strokes as possible in order to prevent a ragged end on the seal.
- 2.2) Starting at the top of the run, insert Seal into the slots of the Retainer. Note: in most cases hand pressure will be sufficient to seat the Seal in the Retainer. If necessary, you may use a rubber mallet and a wood block to gently drive the Seal flush with the surface of the Retainer.

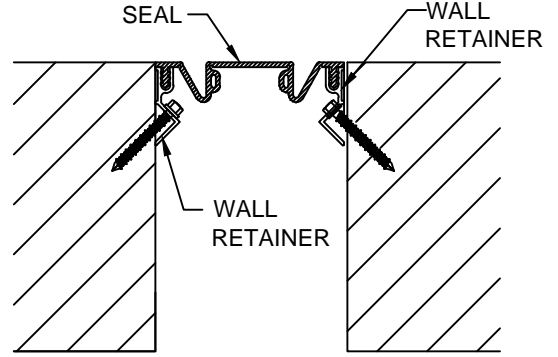
Tip: If you spray the push in arrow with soapy water, the Seal slides in much easier.
- 2.3) Tape the edge of the Retainer and feather drywall cement to provide a smooth transition to the drywall.

STEP 3

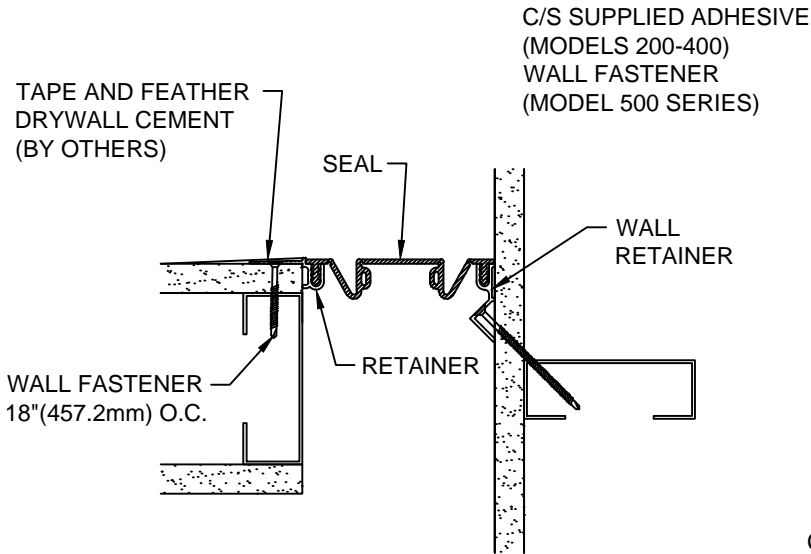
COMPLETE INSTALLATION



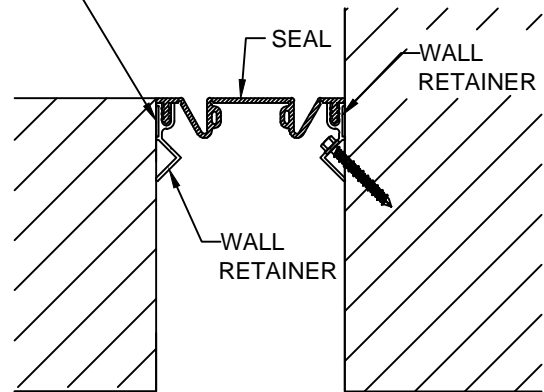
FLAT WALL CONDITION



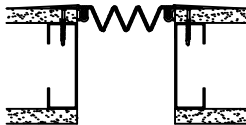
FLAT WALL CONDITION W /WALL RETAINERS



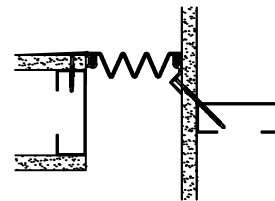
CORNER WALL CONDITION



CORNER WALL CONDITION W/ WALL RETAINERS



MODEL-FWS

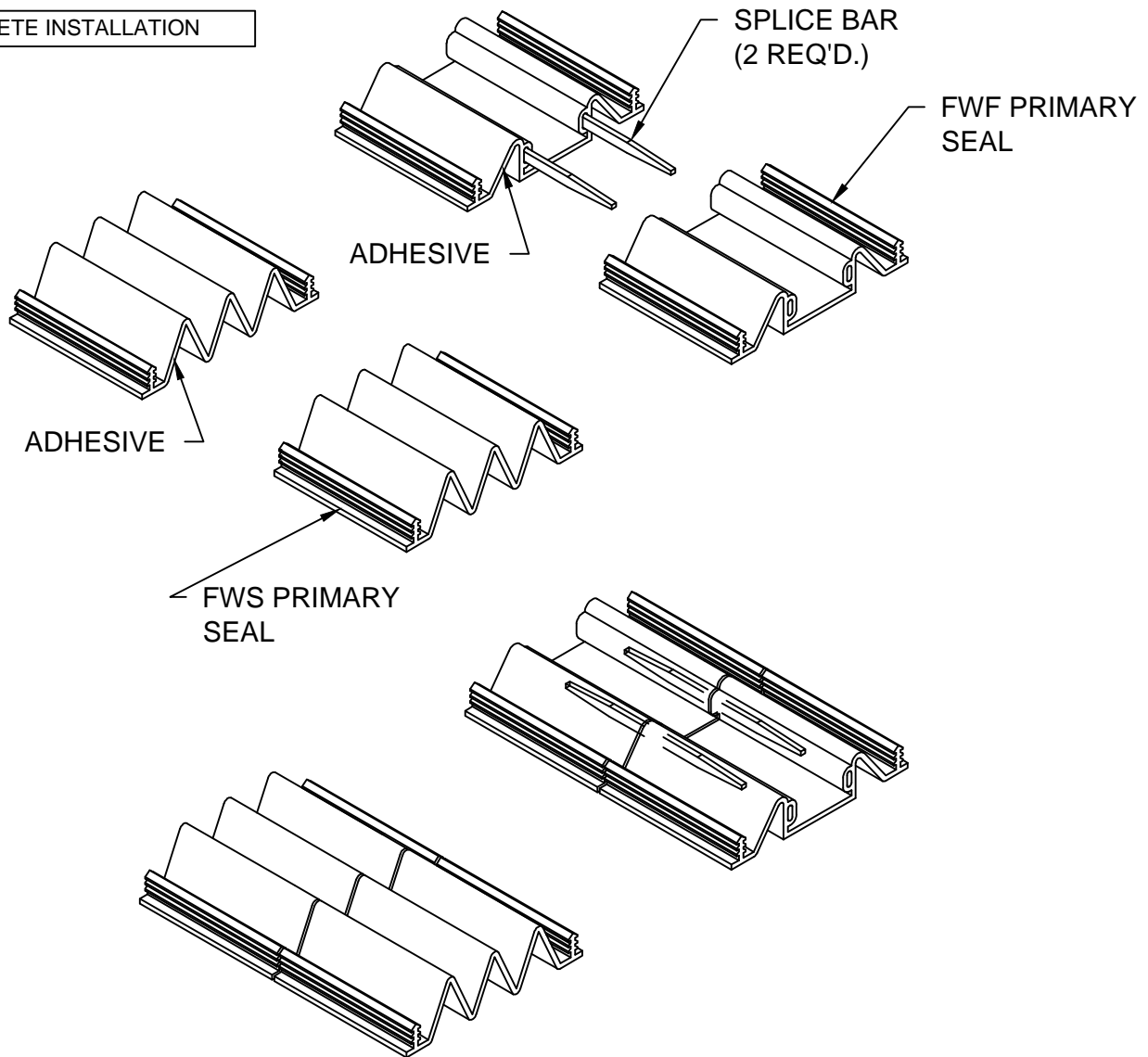


MODEL-FWSC

- 3.1) When installation of the C/S Wall Expansion Joint Cover has been completed, remove all residue and foreign matter from the area and joint cover.
- 3.2) Clean the C/S Joint Cover and adjoining surfaces with proper cleaner.
- 3.3) Protect the Joint Cover until the Architect's final inspection.

STEP 4

COMPLETE INSTALLATION



PRIMARY SEAL SPLICE

Step 4:

Cutting:

- 1) Determine the length of seal required for the applicable area and measure and mark the seal.
- 2) Place the seal with the location to be cut into a Miter Box and flood the area to be cut with water to lubricate the hacksaw blade.
- 3) Using a hacksaw and the C/S supplied Serrated Hacksaw Blade, make the cut using long strokes while applying downward force when cutting. The cut should be made with as few strokes as possible in order to prevent a ragged end on the seal.

Splicing:

- 1) Wipe surface of the Splice Bars and the ends of the seals to be bonded with Alcohol (or similar) to remove all dirt, moisture, and oils that might affect the bond.
- 2) When appropriate, apply the 3M CA-40 Adhesive to half of each Splice Bar. Insert only the portion of the bar with adhesive into the splice bar slot of one of the seals. Important: Please observe the safety precautions on the adhesive container!
- 3) Apply the CA-40 Adhesive to the entire cut surface of the seal and the remaining portion of the Splice Bar.
- 4) Align the two ends of each seal, insert the Splice Bar into the opposite seal and bring the ends of the seal together. Apply pressure against the ends of the seals until the Adhesive has set.