

FYW & FYWW Series

Technical Data:

Aluminum

- Extrusion – C/S uses multiple alloys & tempers which are established to be the most appropriate for the given use of individual parts. Will be one of the following: (6063-T5, T6, T52) (6061-T5, T6, T51) (6105-T5, T6) (6005-T5) (6005A-T5, T61), ASTM B221

Standard Loading

- 500 lbs.

Product Description:

This metal floor cover is designed for interior applications where low maintenance or tamper-resistant applications are desirable. With a recessed side frame and sloped center plate, this model helps reduce visual impact as compared to other metal floor covers.

Use This Cover For:

- Interior applications where low maintenance is desirable or for tamper-resistant applications.
- Cover offers a 1/8" recess to allow for carpet finishes.
- Optional vapor barrier available for wet areas.

Performance Characteristics:

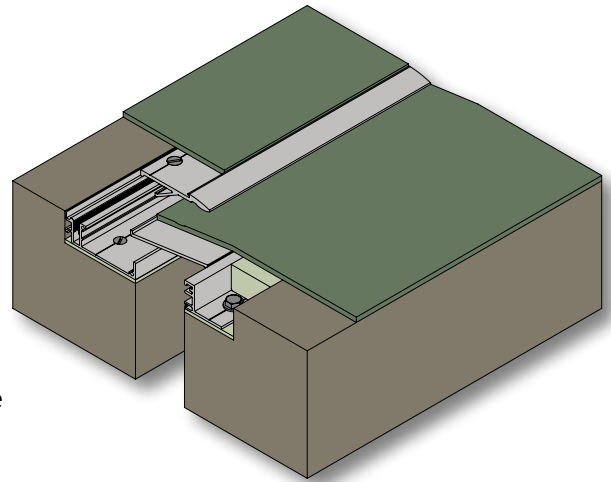
Center plate attached to hinge style frame on one side spans joint and slides between frame assemblies to allow movement when required.

Standard Finishes:

Mill finish. Aluminum in contact with concrete/masonry will have a 2 mil heavy metal free high solids primer.

Installation Guidelines:

The blockouts must be prepared to receive the joint cover. It is recommended that the blockout be formed a minimum of 1/8" deeper to allow the base to be leveled prior to installation of the joint cover. Apply a high-strength leveling grout to the base of the blockouts to provide a continuous, solid, flat and level base for the joint cover. (Note: The blockouts must be level across the joint opening.) Install base frames with C/S supplied fasteners. Hinge center plate in frame and screw cover plate into base frame. For complete installation instructions, please visit www.c-sgroup.com.



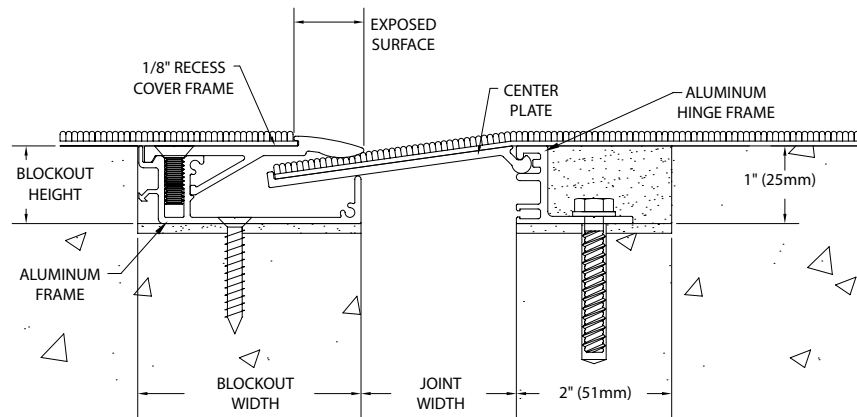
Capable of Lateral Movement



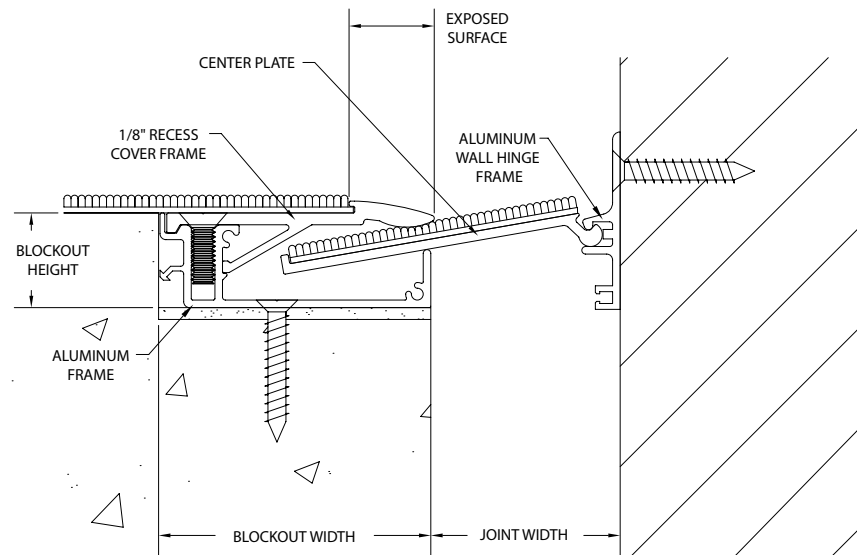
This model is
MBDC Cradle to Cradle
Certified^{CM} Gold.

Cradle to Cradle Certified^{CM} is a certification mark license by the Cradle to Cradle Products Innovation Institute.

MODEL	JOINT WIDTH	MINIMUM OPENING	MAXIMUM OPENING	EXPOSED SURFACE	BLOCKOUT WIDTH "A"	BLOCKOUT HEIGHT	BLOCKOUT WIDTH "B"
FYW-100	1.00" (25mm)	0.00" (0mm)	2.13" (54mm)	0.90" (23mm)	3.88" (99mm)	1.00" (25mm)	2.00" (51mm)
FYW-200	2.00" (51mm)	1.00" (25mm)	3.13" (80mm)	0.90" (23mm)	2.88" (73mm)	1.00" (25mm)	2.00" (51mm)
FYW-300	3.00" (76mm)	1.00" (25mm)	5.13" (130mm)	0.90" (23mm)	6.13" (156mm)	1.00" (25mm)	2.00" (51mm)
FYW-400	4.00" (102mm)	2.00" (51mm)	6.13" (156mm)	0.90" (23mm)	5.13" (130mm)	1.00" (25mm)	2.00" (51mm)
FYWW-100	1.00" (25mm)	0.38" (10mm)	2.38" (60mm)	0.90" (23mm)	3.88" (99mm)	1.00" (25mm)	N/A
FYWW-200	2.00" (51mm)	1.38" (35mm)	3.38" (86mm)	0.90" (23mm)	2.88" (73mm)	1.00" (25mm)	N/A
FYWW-300	3.00" (76mm)	1.38" (35mm)	5.50" (140mm)	0.90" (23mm)	6.13" (156mm)	1.00" (25mm)	N/A
FYWW-400	4.00" (102mm)	2.38" (60mm)	6.50" (165mm)	0.90" (23mm)	5.13" (130mm)	1.00" (25mm)	N/A



FYW



FYWW