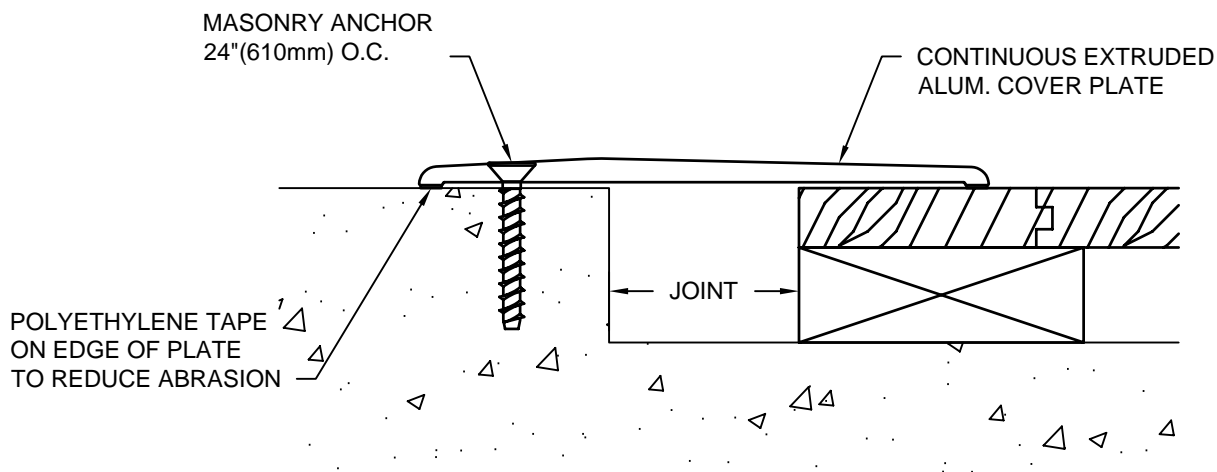
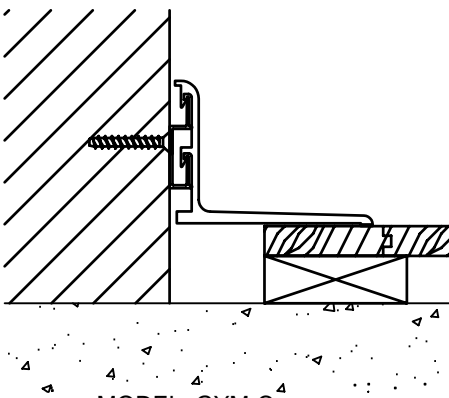


MODEL GYM-F & GYM-C INSTALLATION INSTRUCTIONS



MODEL: GYM-F



MODEL: GYM-C

IMPORTANT INFORMATION

Prior to the commencement of Installation, all materials **MUST** be inspected for Damage. Any damage must be reported to CONSTRUCTION SPECIALTIES, INC., as soon as possible, so that replacement materials may be furnished without delay.

All work must be completed as per Architect's Approved "Shop Drawings", and in accordance with these Installation Instructions. When installation is complete, all materials must be protected from damage until the Architect's FINAL INSPECTION.

All materials should be arranged in the order that they are to be installed. All hardware required for each portion of the work should be placed with the appropriate materials.

Please review all Approved Shop Drawings and this Document to familiarize yourself with all the details and components of this assembly.

IMPORTANT:
READ THROUGH ALL INSTRUCTIONS PRIOR TO STARTING INSTALLATION

10/12/05

CONSTRUCTION SPECIALTIES, INC.

P.O. BOX 380
MUNCY, PA 17756
PHONE: (570)546-5941 FAX: (570)546-8022

This document is the property of Construction Specialties, Inc. and contains CONFIDENTIAL PROPRIETARY INFORMATION that is not to be disclosed to third parties and is not to be used without approval in writing from Construction Specialties, Inc.

Notes:

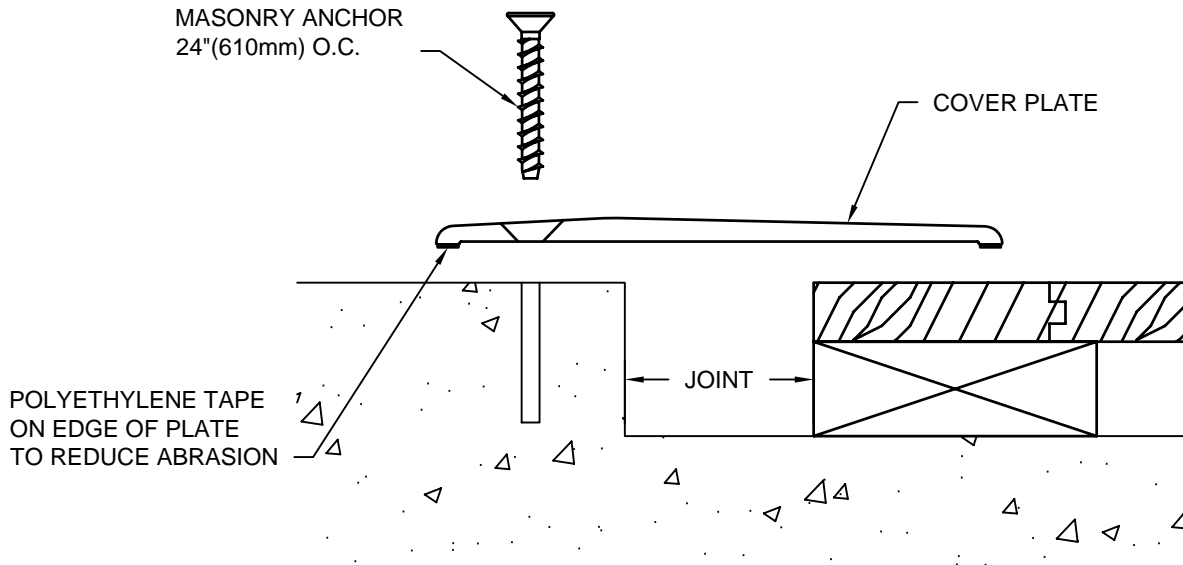
Before beginning installation, review the architectural drawings and approved Construction Specialties Inc. shop drawings to familiarize yourself with the joint cover models and locations.

Check all of the joint cover components to confirm that the correct joint cover model and size have been received. Also, check for materials that may have been damaged during shipping. Report all incorrect and/or damaged components to C/S at 800-233-8493.

Read through all the steps of these instructions prior to beginning work.

STEP 1

FLOOR COVER PLATE INSTALLATION



Note:

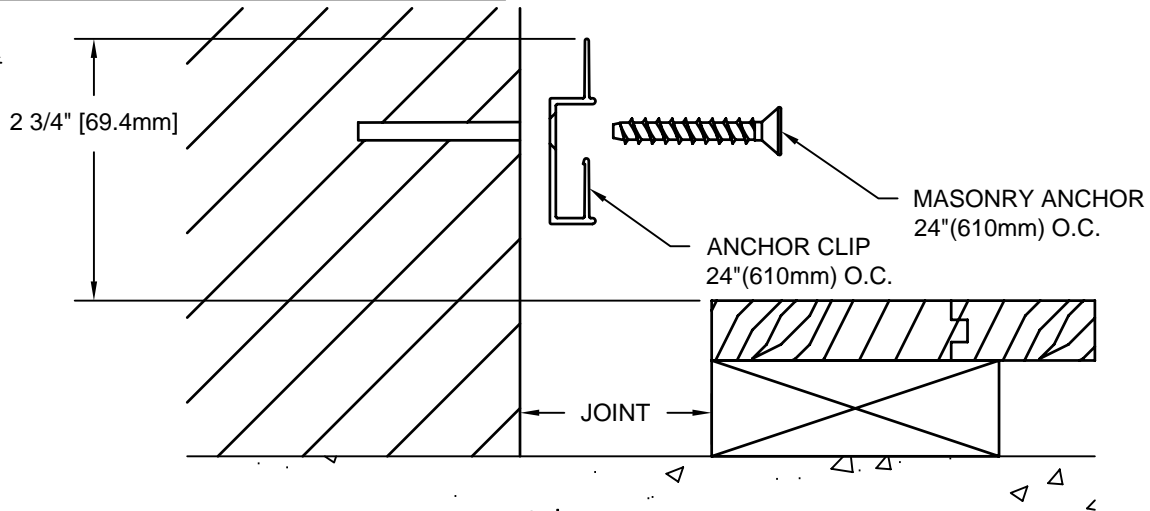
- If a C/S Fire Barrier is to be installed in the joint, please review the Fire Barrier Installation Instructions supplied, and if required install the Fire Barrier **BEFORE** installation of C/S Seismic Expansion Joint Cover.
- If a Waterstop is to be installed in the joint, please review the Waterstop Installation Instructions supplied, and if required install the Waterstop **BEFORE** installation of C/S Seismic Expansion Joint Cover.

- 1.1) Begin installation of the Cover Plate by centering a length of the Cover Plate over the joint. Cut the Cover Plate to length as needed.
- 1.2) Using the Cover Plate as a template, mark the location of the anchor bolts.
- 1.3) Remove the Frame and drill the holes for the anchor bolts. The holes are to be drilled with the appropriate size and type of drill bit as indicated by the manufacturer of the C/S supplied anchor bolts.
- 1.4) Reposition and anchor the Cover Plate to the slab with the C/S supplied anchor bolts following the manufacturer's guidelines.
- 1.5) Repeat this installation procedure for any additional lengths of Cover Plate.

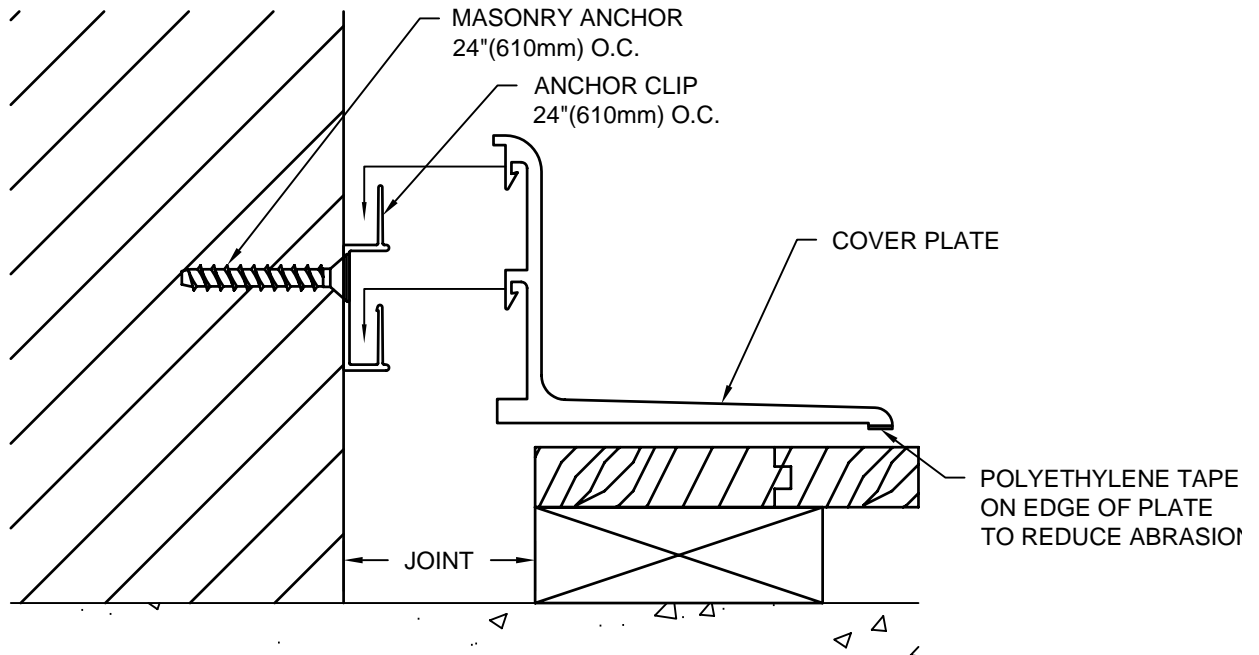
STEP 2

FLOOR TO WALL COVER PLATE INSTALLATION

STEP 2A



STEP 2B



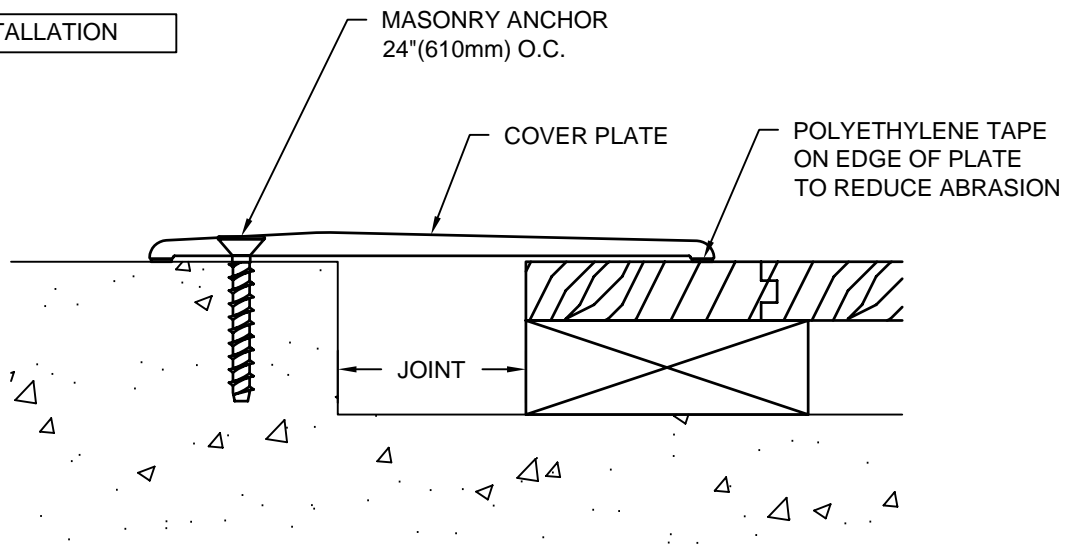
Note:

- If a C/S Fire Barrier is to be installed in the joint, please review the Fire Barrier Installation Instructions supplied, and if required install the Fire Barrier **BEFORE** installation of C/S Seismic Expansion Joint Cover.
- If a Waterstop is to be installed in the joint, please review the Waterstop Installation Instructions supplied, and if required install the Waterstop **BEFORE** installation of C/S Seismic Expansion Joint Cover.

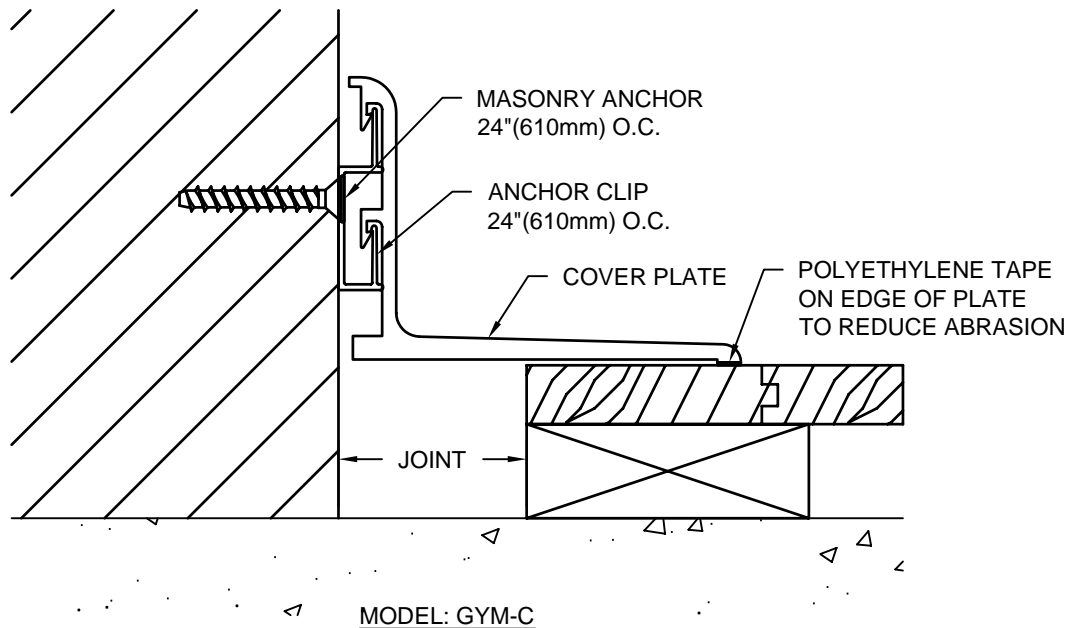
- 2.1a) Begin installation of the Anchor Clip by measuring 2-3/4" from floor and mark a line on the wall surface.
- 2.2a) Align top of Anchor Clip with the line on surface of wall, then using Anchor Clip as a template, mark the location of the anchor bolts.
- 2.3a) Remove the Anchor Clip and drill holes for the anchor bolts. The holes are to be drilled with the appropriate size and type of drill bit as indicated by the manufacturer of the C/S supplied anchor bolts.
- 2.4a) Reposition and anchor the Anchor Clip at 24" (610mm) o.c. to the wall with the C/S supplied anchor bolts following the manufacturer's guidelines.
- 2.1b) Begin installation of Cover Plate by inserting the Cover Plate into the Anchor Clips and pushing down to snap into place.

STEP 3

COMPLETE INSTALLATION



MODEL: GYM-F



MODEL: GYM-C

- 3.1) When installation of the C/S Floor Expansion Joint Cover has been completed, remove all residue and foreign matter from the area and joint cover.
- 3.2) Clean the C/S Joint Cover and adjoining surfaces with proper cleaner.
- 3.3) Protect the Joint Cover until the Architect's final inspection.