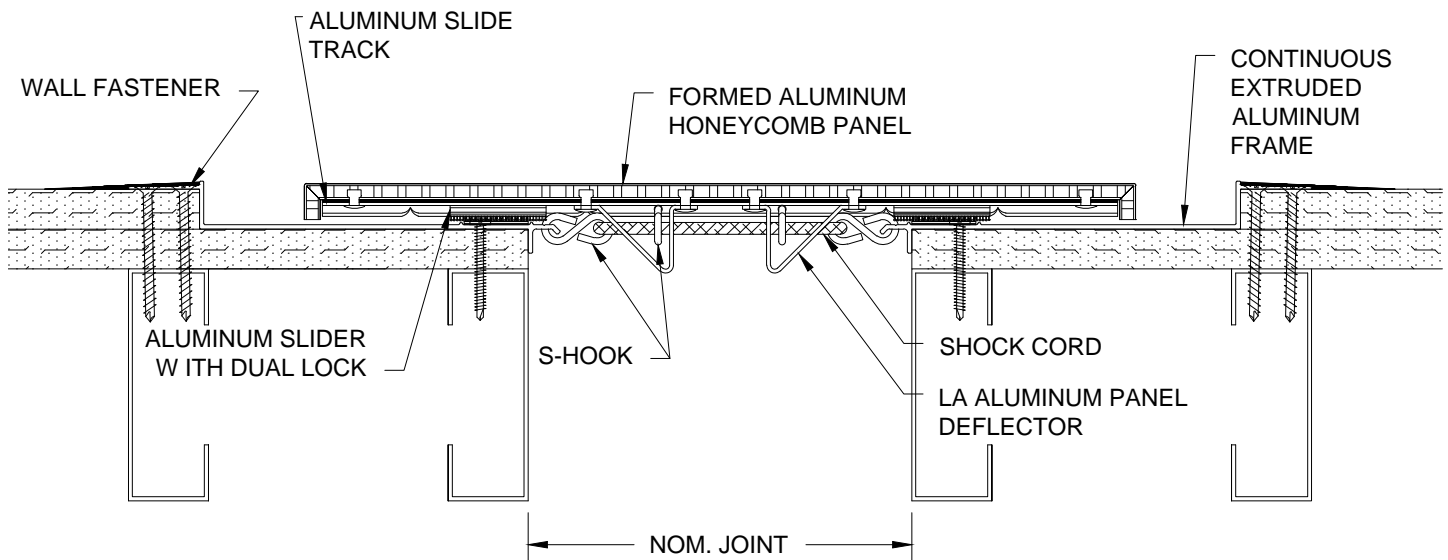


MODEL LAF-400 THROUGH 2400 INSTALLATION INSTRUCTIONS



WALL AND CEILING JOINT COVER

IMPORTANT INFORMATION

Prior to the commencement of installation all materials **MUST** be inspected for damage. Any damage must be reported to CONSTRUCTION SPECIALTIES, INC., as soon as possible, so that replacement materials may be furnished without delay.

All work must be completed as per Architect's Approved "Shop Drawings", and in accordance with these Installation Instructions. When installation is complete, all materials must be protected from damage until the Architect's FINAL INSPECTION.

All materials should be arranged in the order that they are to be installed. All hardware required for each portion of the work should be placed with the appropriate materials.

Please review all Approved Shop Drawings and this document to familiarize yourself with all the details and components of this assembly.

IMPORTANT:

READ THROUGH ALL INSTRUCTIONS PRIOR TO STARTING INSTALLATION

11/21/12

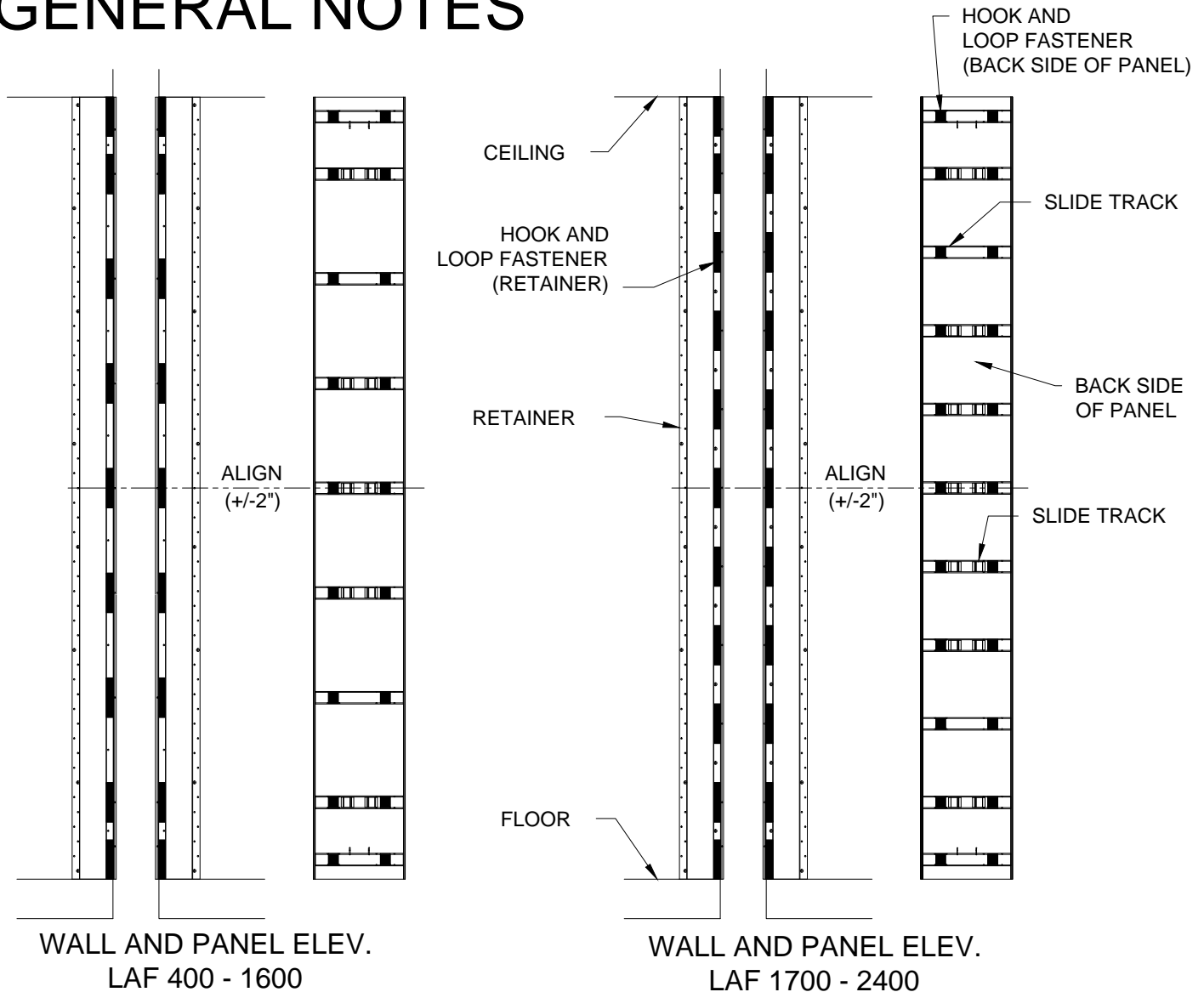


Construction Specialties™

6696 Route 405 Highway, Muncy PA 17756
(800) 233-8493 .Fax (570) 546-5169 .www.c-sgroup.com

This document is the property of Construction Specialties, Inc. and contains CONFIDENTIAL PROPRIETARY INFORMATION that is not to be disclosed to third parties and is not to be used without approval in writing from Construction Specialties, Inc.

GENERAL NOTES



WALL AND PANEL ELEV.
LAF 400 - 1600

WALL AND PANEL ELEV.
LAF 1700 - 2400

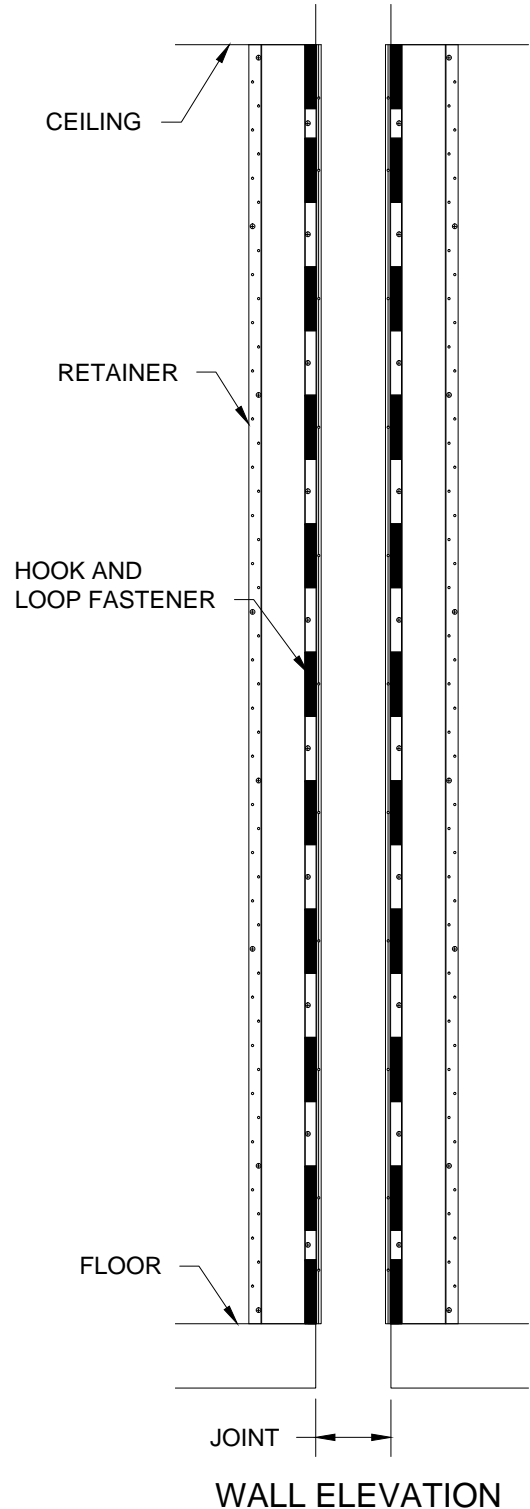
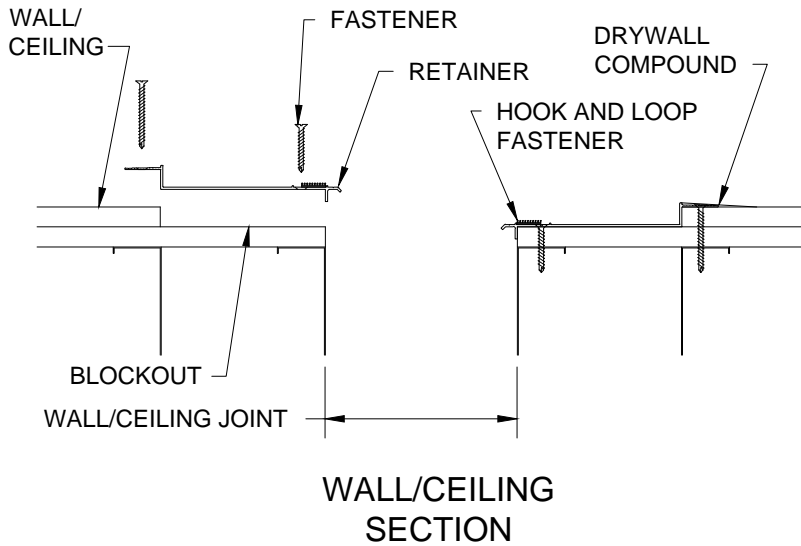
IMPORTANT NOTE:

For proper installation of the LAF covers it is necessary to always maintain the alignment of the Hook and Loop Fastener on the back of the Cover Panels with the Hook and Loop Fastener on the Retainers. Always coordinate the cutting of the Panels with the cutting of the Retainers so that the alignment is maintained.

1. LAF joint covers are to be installed flush with the face of the wall or ceiling and are to be centered over the joint. Face of wall or ceiling where LAF joint covers are being installed should be level $\pm 3/16$ ".
2. Before beginning installation of the LAF joint covers, review the architectural drawings and approved C/S shop drawings to familiarize yourself with the locations of the LAF and other joint cover systems.
3. Coordinate the installation of the LAF wall and/or ceiling joint covers with installation of fire barrier systems, floor joint covers and other wall and ceiling joint covers.
4. Always carry the Panels on edge to minimize bowing of the Panels.
5. The primed surface on the Cover Panels is intended to be field painted to match adjacent wall and/or ceiling finish paint. We recommend using Cardinal 3600 Series Paint per manufacturer's guidelines, it was tested in accordance to ASTM-3359. If alternative paint is desired, test a small section of the panel prior per manufacturer's guidelines to painting the entire panel to determine if paint will adhere properly to primer. We do not guarantee that alternative paints will adhere.
6. The LAF Cover Panels may be cut, when required, using a straight edge and a circular saw, table saw or radial arm saw.
7. When LAF covers are being installed at both wall and adjacent ceiling locations, ceiling covers are to be installed first.

STEP 1

INSTALL RETAINERS



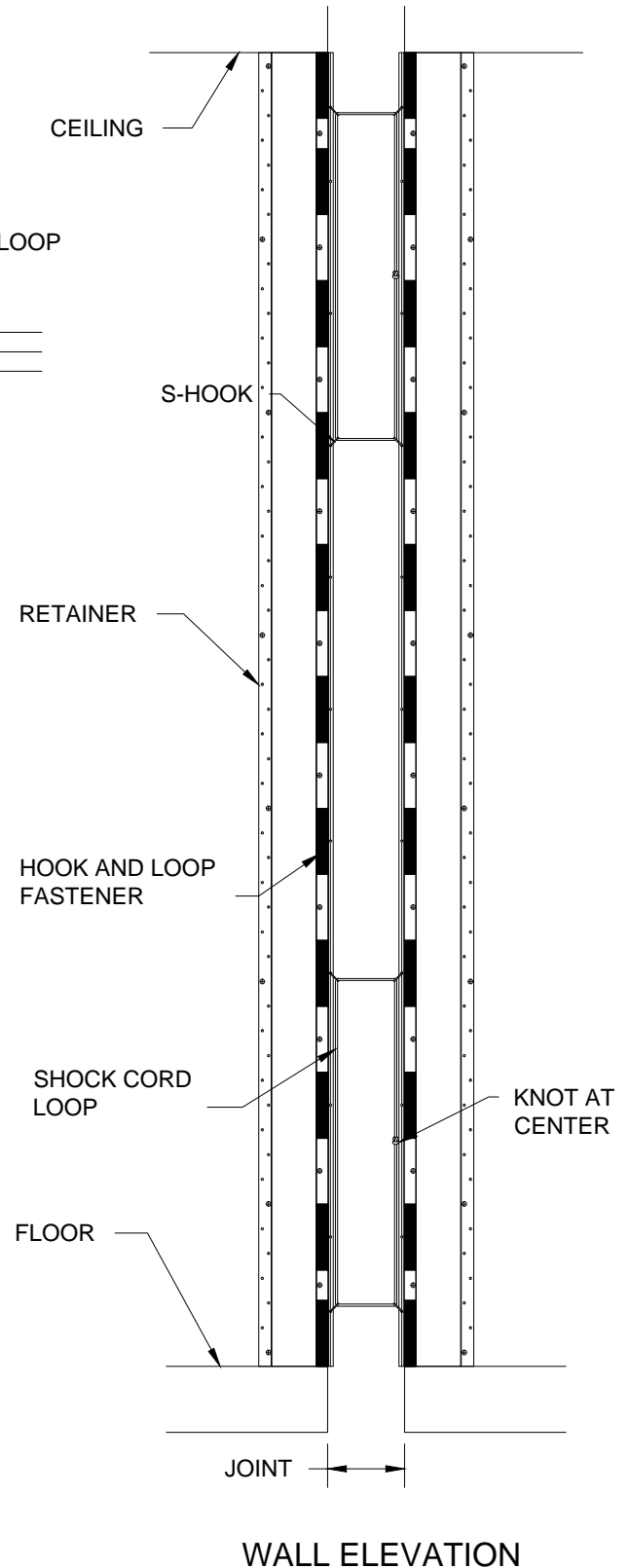
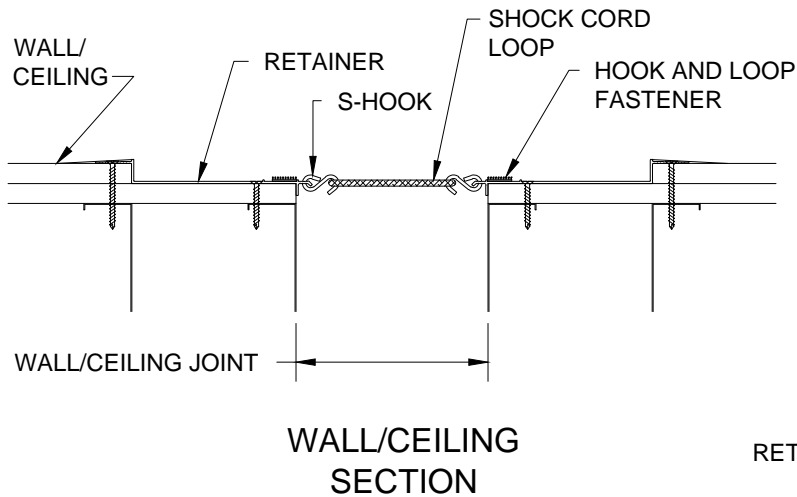
STEP 1:

Note: The Aluminum Retainers are to run from floor to ceiling at wall joint applications, and from end of run to end of run at ceiling joint applications. The Retainers are supplied in 120" lengths. If the ceiling height or ceiling run length exceeds 120", two or more lengths of Retainer are to be installed for the required length. If LAF covers are being installed at both wall and ceiling, the ends of the Retainers are to be miter cut at 45° at the intersecting corner.

- 1.1) Select a pair of the 120" Retainers and if needed, cut to length. See the Panel/Retainer Cutting Information at the end of these instructions. **Note:** Position the Retainers in the proper left-hand or right-hand orientation before cutting in order to maintain alignment of the Hook and Loop Fastener strips. Miter cut the appropriate end if needed.
- 1.2) Position each Retainer into the blockout and tightly to the corner of the wall/ceiling at the joint edge and anchor to the wall/ceiling with the appropriate C/S supplied fastener. **Note:** If multiple lengths of Retainer are required, install 120" lengths first. Anchor holes are to be a maximum of 6" from each end. If these end holes were cut off when cutting the Retainer to length, drill new holes 3" to 6" in from the end.
- 1.3) Finish the Retainer installation by applying drywall compound to the flange on the outside of the Retainer. This can be done at a later stage if preferred.

STEP 2

INSTALL RETAINER ACCESSORIES



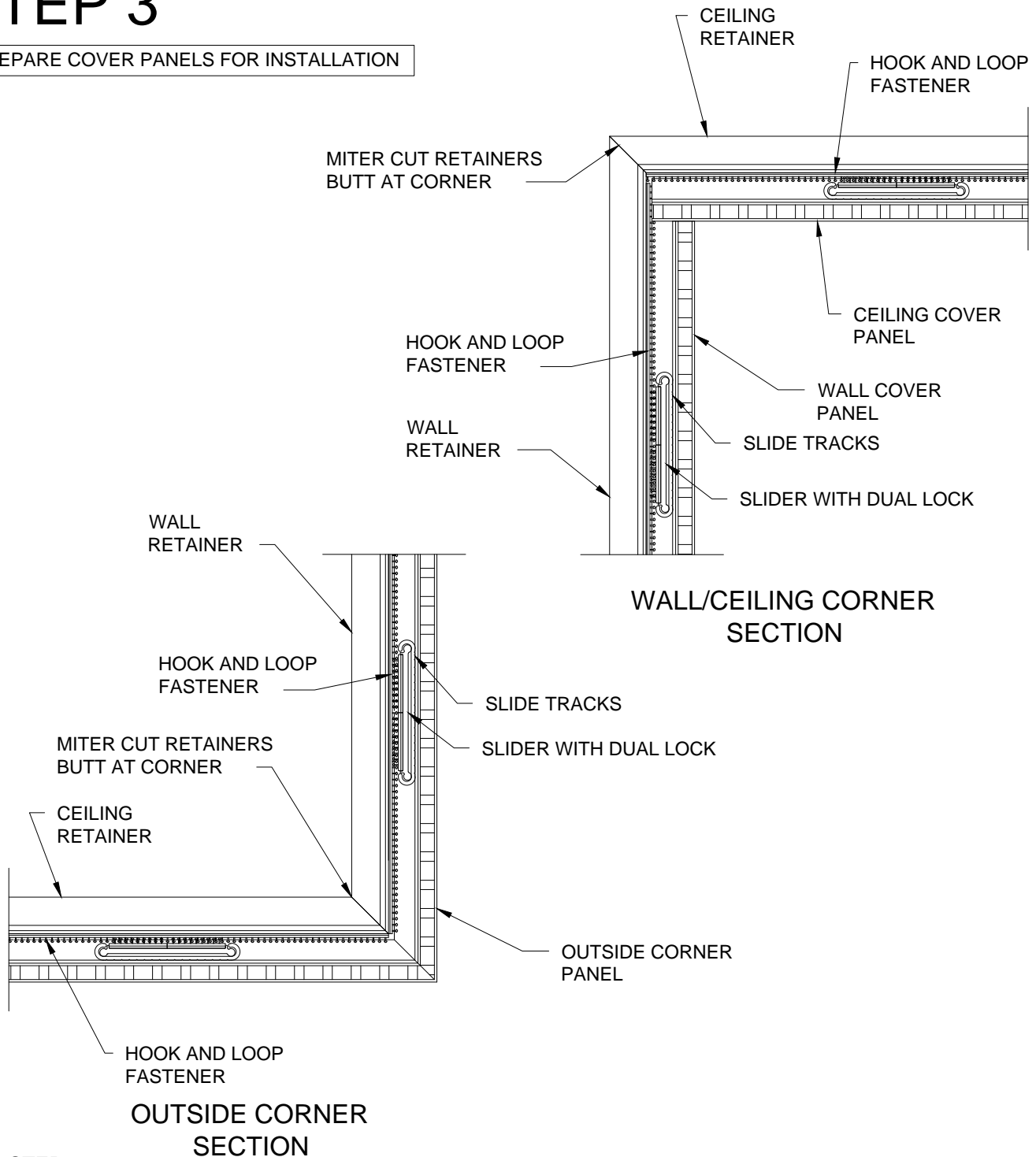
STEP 2:

Note: See the S-Hook and Shock Cord Configurations at the end of these instructions for location.

- 2.1) Place S-Hooks into the appropriate holes in the Retainers by inserting them from the backside coming forward. **Note:** The S-Hooks are to be 32"-36" apart along the Retainer. See S-Hook and Shock Cord Configurations at the end of these instructions. Using pliers, pinch closed the loop of the S-Hook that passes through the Retainer so that it will not fall out.
- 2.2) Place a Shock Cord onto (4) S-Hooks by hanging the Loop over the top two Hooks and stretching the Loop down to engage the other two Hooks. **Note:** Locate the knot of the Shock Cord Loop near the center of one of the vertical lengths of the Loop.
- 2.3) Repeat on opposite end of the Retainer with second Shock Cord (if S-Hook and Shock Cord Configurations call for a second Shock Cord).

STEP 3

PREPARE COVER PANELS FOR INSTALLATION



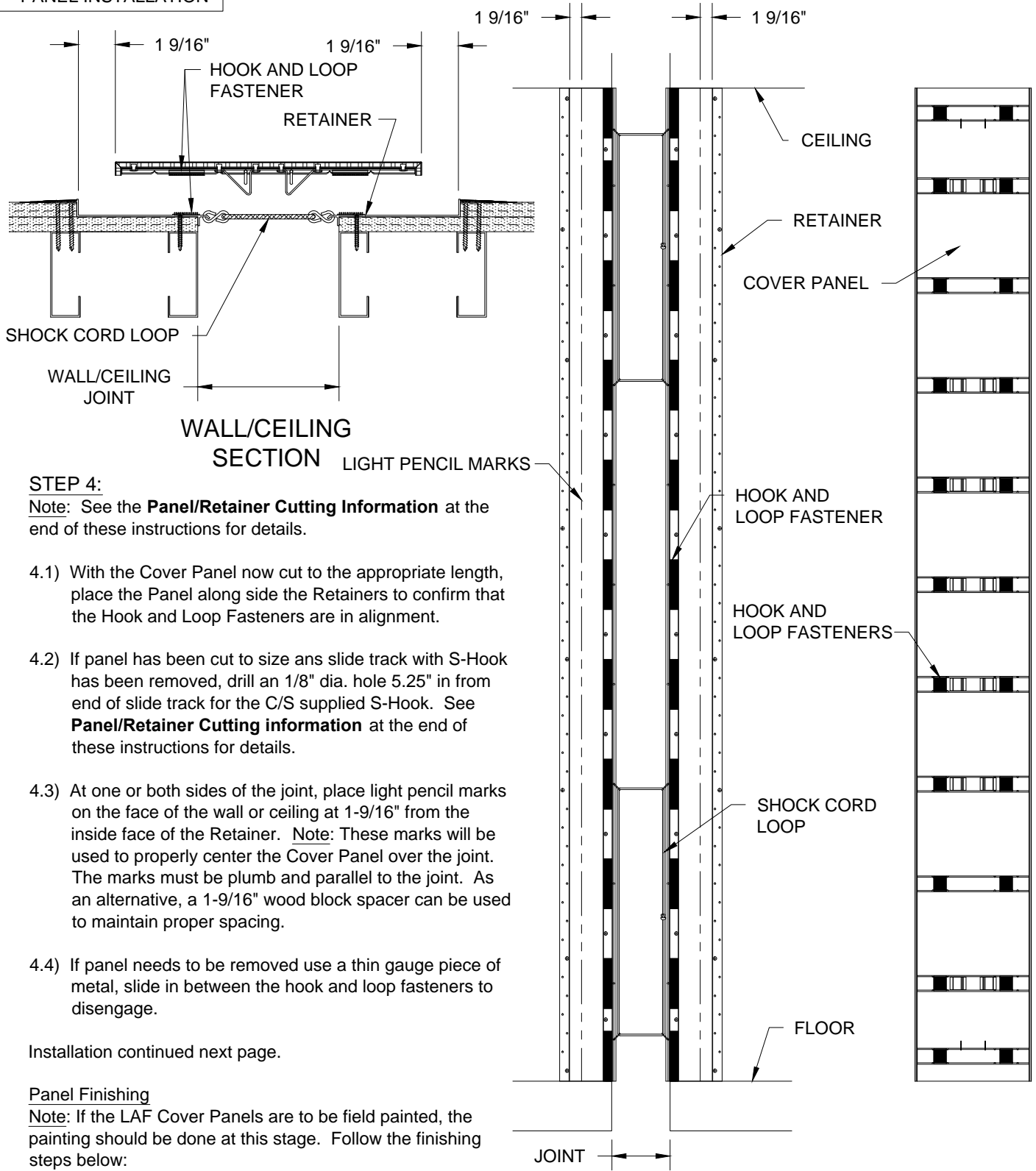
STEP 3:

Note: Before cutting (if required) and installing the Cover Panels consider the following:

- If model LAF covers are being used at both wall and ceiling (inside corner), ceiling joint Cover Panels are to be installed prior to wall Panels and the wall Cover Panels will finish to the face of the ceiling Cover Panel.
- If model LAF covers are being used at both wall and ceiling (outside corner), install factory made outside corner panel first then butt wall and ceiling panels against outside corner panel (see LAF outside corner miter instructions 12DV).
- If more than one Cover Panel is required for a run, install the longest Panel(s) first.
- All Cover Panels are supplied in 120" lengths.
- Field verify ceiling height dimensions and ceiling run length dimensions before cutting Panels.
- When cutting Cover Panels to a required length, coordinate the Panel cutting with the cuts made to the Retainers in order to maintain alignment of the Hook and Loop Fasteners. Also refer to the Panel/Retainer Cutting Information at the end of these instructions for shock cord configurations and s-hook locations in slide tracks.
- Support the Panels to prevent excessive bowing which may damage the Panel.
- The LAF Cover Panels may be cut, when required, using a straight edge and a circular saw, table saw or radial arm saw.

STEP 4

PANEL INSTALLATION



STEP 4:

Note: See the **Panel/Retainer Cutting Information** at the end of these instructions for details.

- 4.1) With the Cover Panel now cut to the appropriate length, place the Panel along side the Retainers to confirm that the Hook and Loop Fasteners are in alignment.
- 4.2) If panel has been cut to size and slide track with S-Hook has been removed, drill an 1/8" dia. hole 5.25" in from end of slide track for the C/S supplied S-Hook. See **Panel/Retainer Cutting information** at the end of these instructions for details.
- 4.3) At one or both sides of the joint, place light pencil marks on the face of the wall or ceiling at 1-9/16" from the inside face of the Retainer. **Note:** These marks will be used to properly center the Cover Panel over the joint. The marks must be plumb and parallel to the joint. As an alternative, a 1-9/16" wood block spacer can be used to maintain proper spacing.
- 4.4) If panel needs to be removed use a thin gauge piece of metal, slide in between the hook and loop fasteners to disengage.

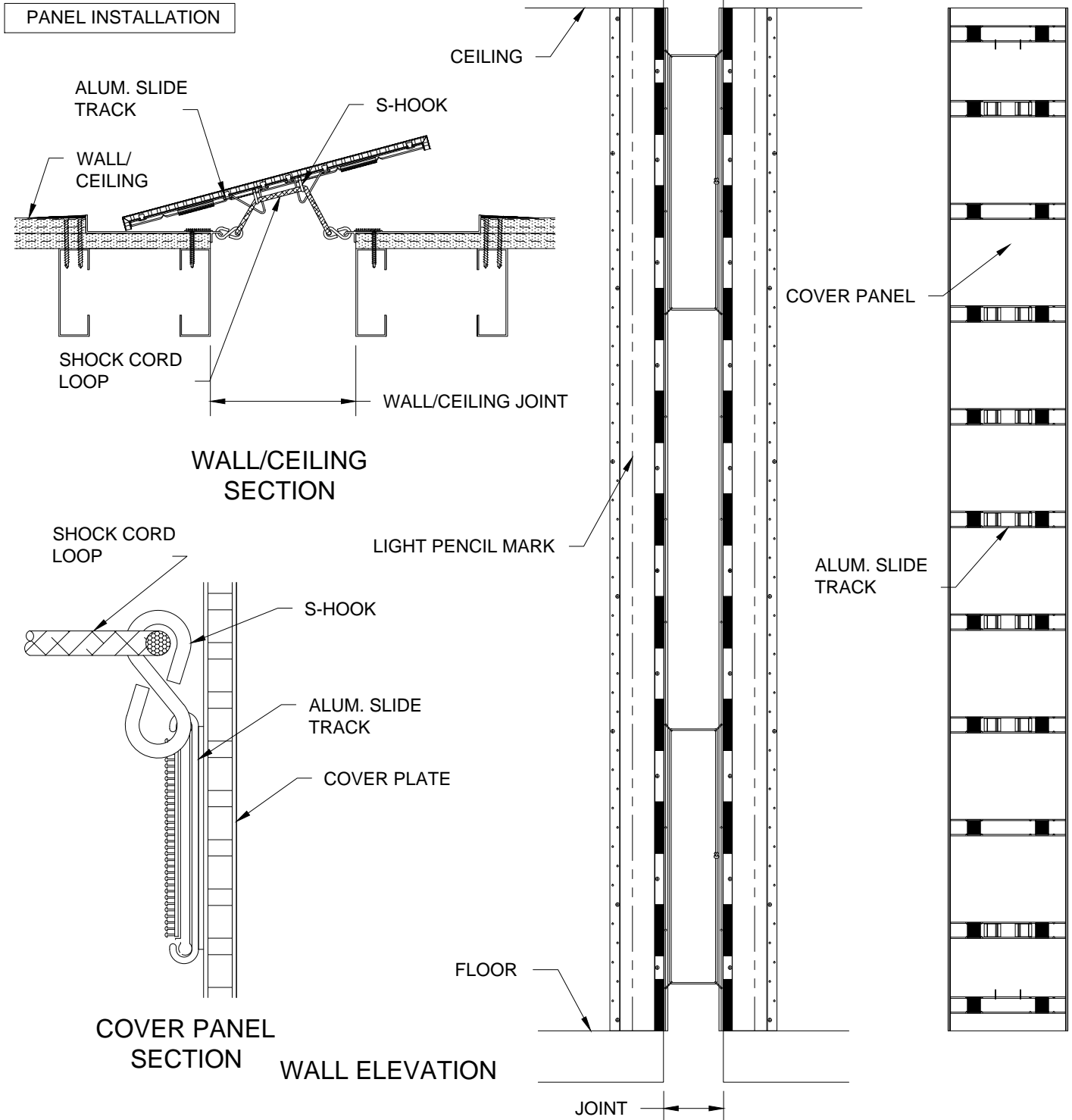
Installation continued next page.

Panel Finishing

Note: If the LAF Cover Panels are to be field painted, the painting should be done at this stage. Follow the finishing steps below:

- **Remove the protective plastic covering from Panel.**
- C/S recommends testing a small section of the panel prior to painting entire panel to test the paint's adhesion to the primer.
- Apply interior paint to the epoxy primer.
- Apply additional coats of interior paint as required.

STEP 4 (Cont.)



STEP 4 Cont...

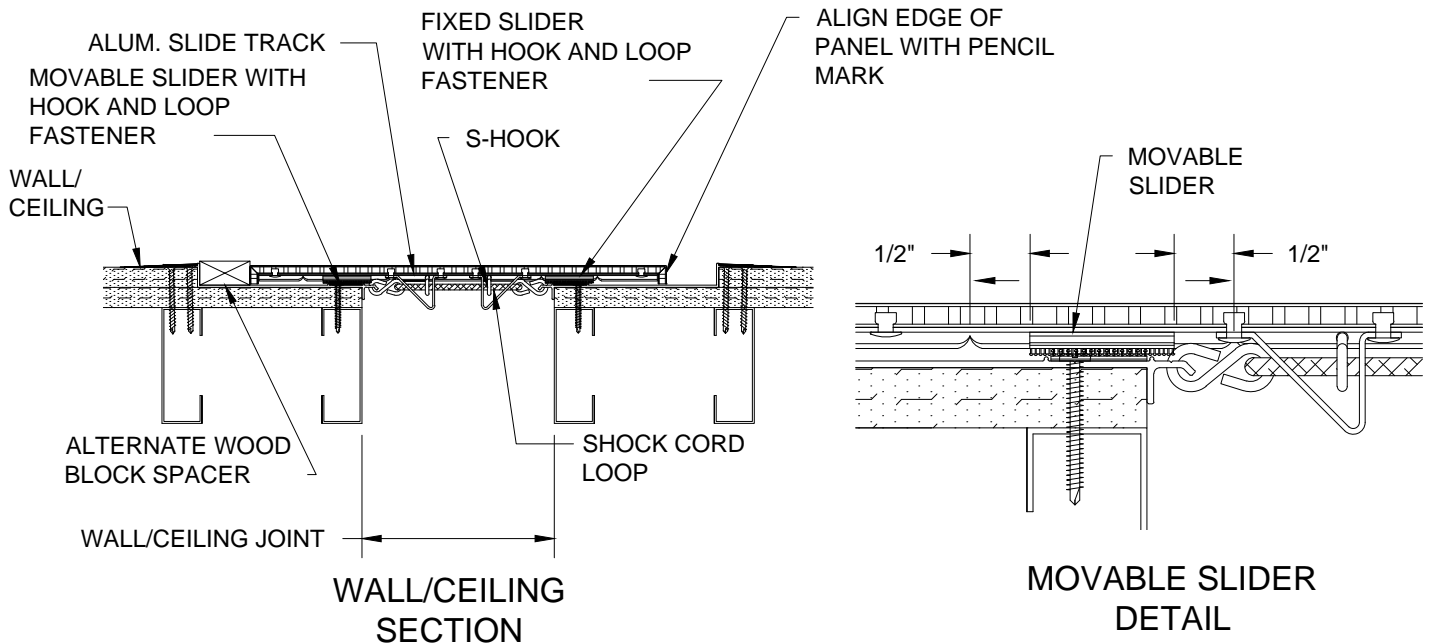
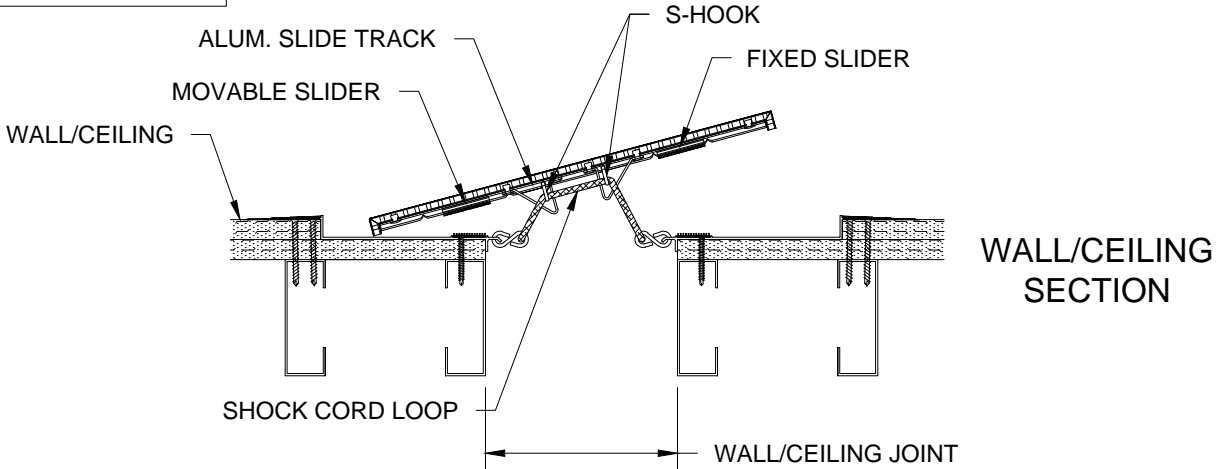
Note: Use a drill and drill 1/8" dia. hole in the Slide track on Panels that have been cut down and attach S-Hooks. See S-Hook and Shock Cord Configurations at the end of these instructions for S-Hook locations.

- 4.5) Position the Cover Panel over the joint with the backside of the Panel towards the wall/ceiling and Retainers.
- 4.6) Angle one edge of the Panel to allow access to the backside of the Panel and the Shock Cord Loops.
- 4.7) Capture the Shock Cord with the S-Hook on the backside of the Panel. Pinch the S-Hook shut with pliers (see detail above).

Continue on next page....

STEP 4 (Cont.)

PANEL INSTALLATION



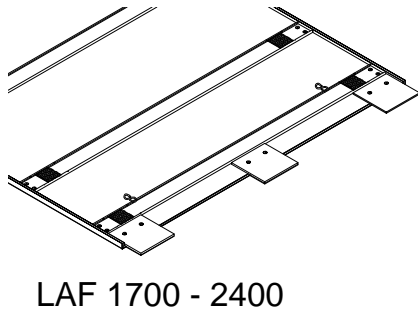
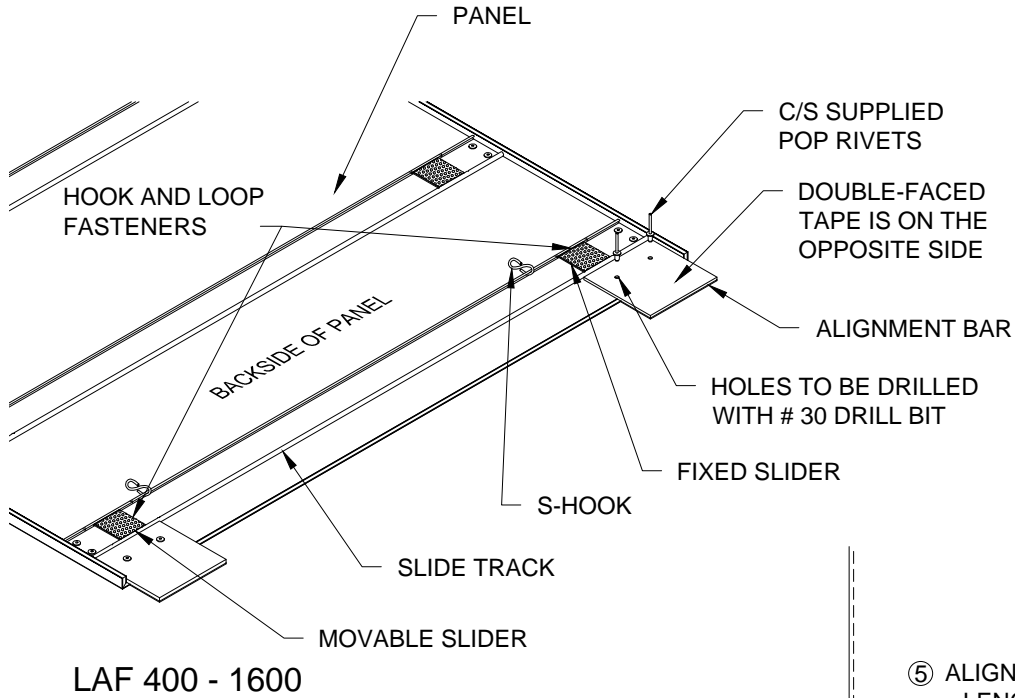
STEP 4 Cont...

Note: On the back of each Cover Panel there are several aluminum Slide Tracks. In each Slide Track there are two Sliders that hold 1/2 of the Hook and Loop Fastener used to mount the Panels. One vertical row of the Sliders are crimped (Fixed Sliders) so that they do not move within the Track. The opposite Sliders are free to move (Movable Sliders) over a 1" range to allow for thermal movement. Establish which Sliders are which.

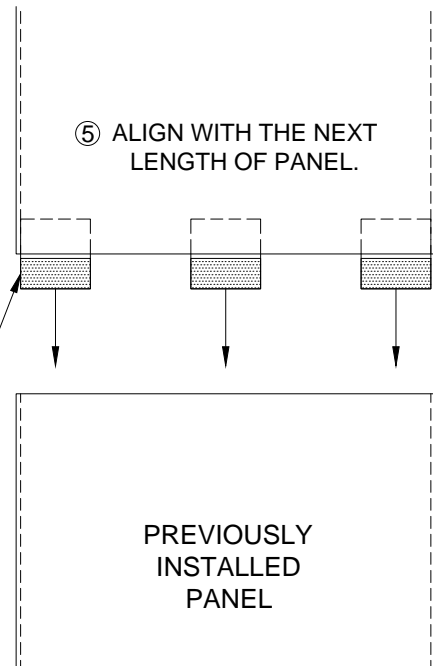
- 4.8) Angle one edge of the Panel to allow access to the backside of the Panel where the Movable Sliders are located.
- 4.9) Move each of the Movable Sliders so that they are centered within their movement range (1/2" each side).
- 4.10) Align the edge of the Panel with the pencil marks, or use a wood block spacer. **Note:** The Panel must be plumb and parallel to the joint.
- 4.11) To engage the Hook and Loop Fasteners, lightly strike the face of the Panel with the palm of your hand, at approximately the location of each Hook and Loop Fastener. **Note:** If the Hook and Loop does not engage, strike with slightly more force and/or recheck alignment and try again.

Note: The first Cover Panel for the run is now complete. Cut and install additional Panels (if required) to complete the run. See Alignment Bar Installation Instructions on next page.

ALIGNMENT BAR INSTALLATION



④ REMOVE THE PROTECTIVE COVER OF THE DOUBLE-FACED TAPE

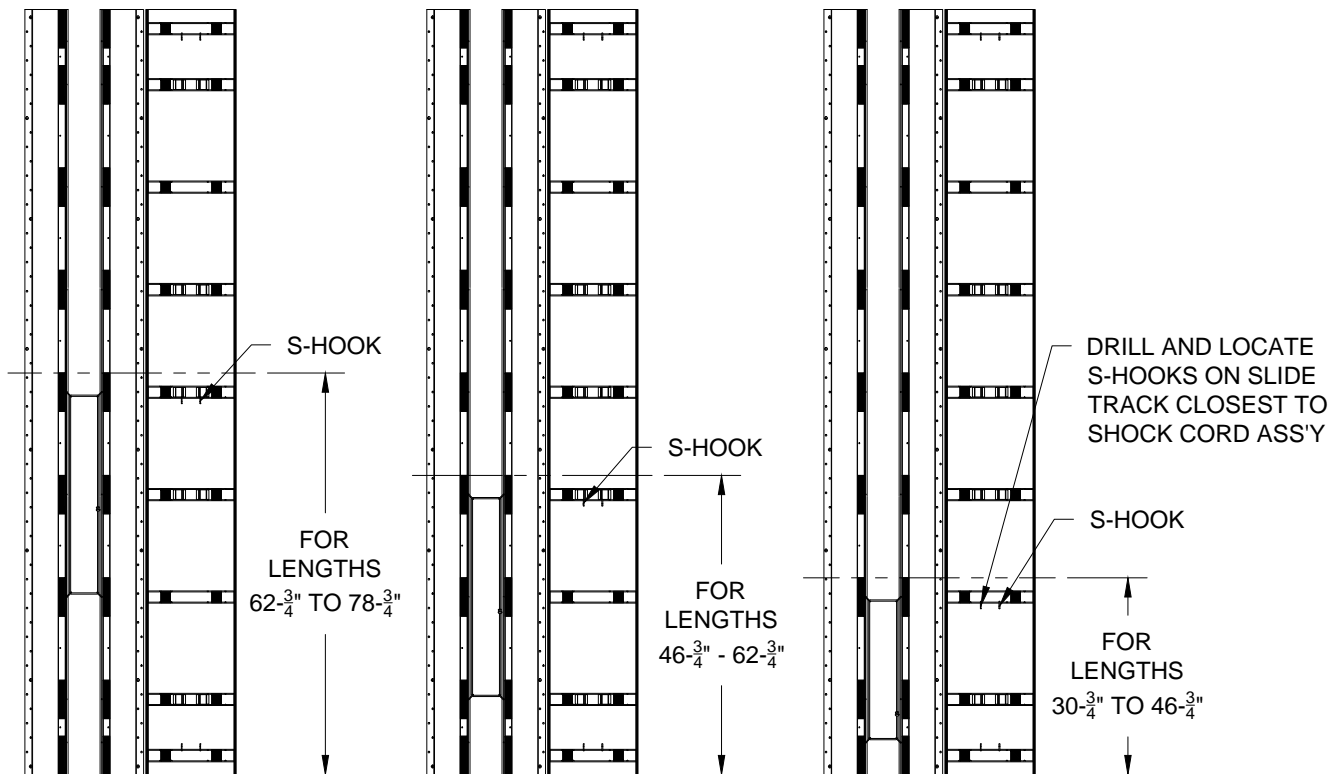
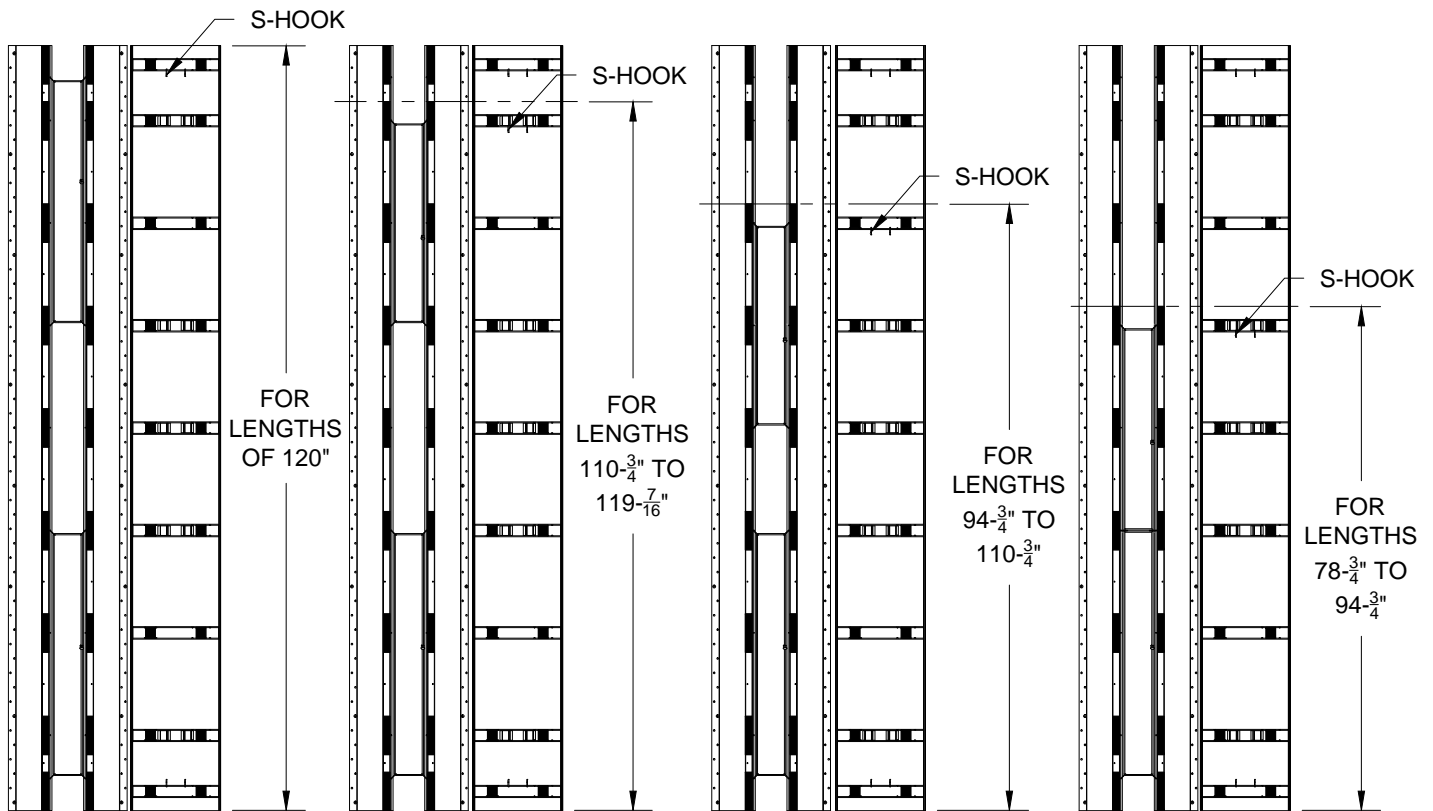


Note: Always maintain the alignment of the Hook and Loop Fasteners on the Wall Retainers with the Slide Tracks on the back side of the Panel.

1. For run lengths exceeding 120", combine 120" section with the appropriate cut section. Use Alignment Bars to line up the sections of panel. Larger width panels require more than two Alignment Bars (as detailed). Minimum Panel and Retainer length is 30-³/₄".
2. Use an Alignment Bar as a drill template and drill into panel with a # 30 drill bit being careful not to puncture the exposed surface of the Panel.
3. Attach the Alignment Bars using the C/S supplied Pop Rivets.
4. The other end of the Alignment Bar has a double faced tape pre-applied to it. When ready to connect panels remove the protective strip on the tape to expose the adhesive.
5. Align next length of panel while maintaining the previous steps for panel installation and slide together. Press on the previously installed panel at the locations of the alignment bars in order to contact adhesive.

See the next page for possible S-Hook and Shock Cord configurations.

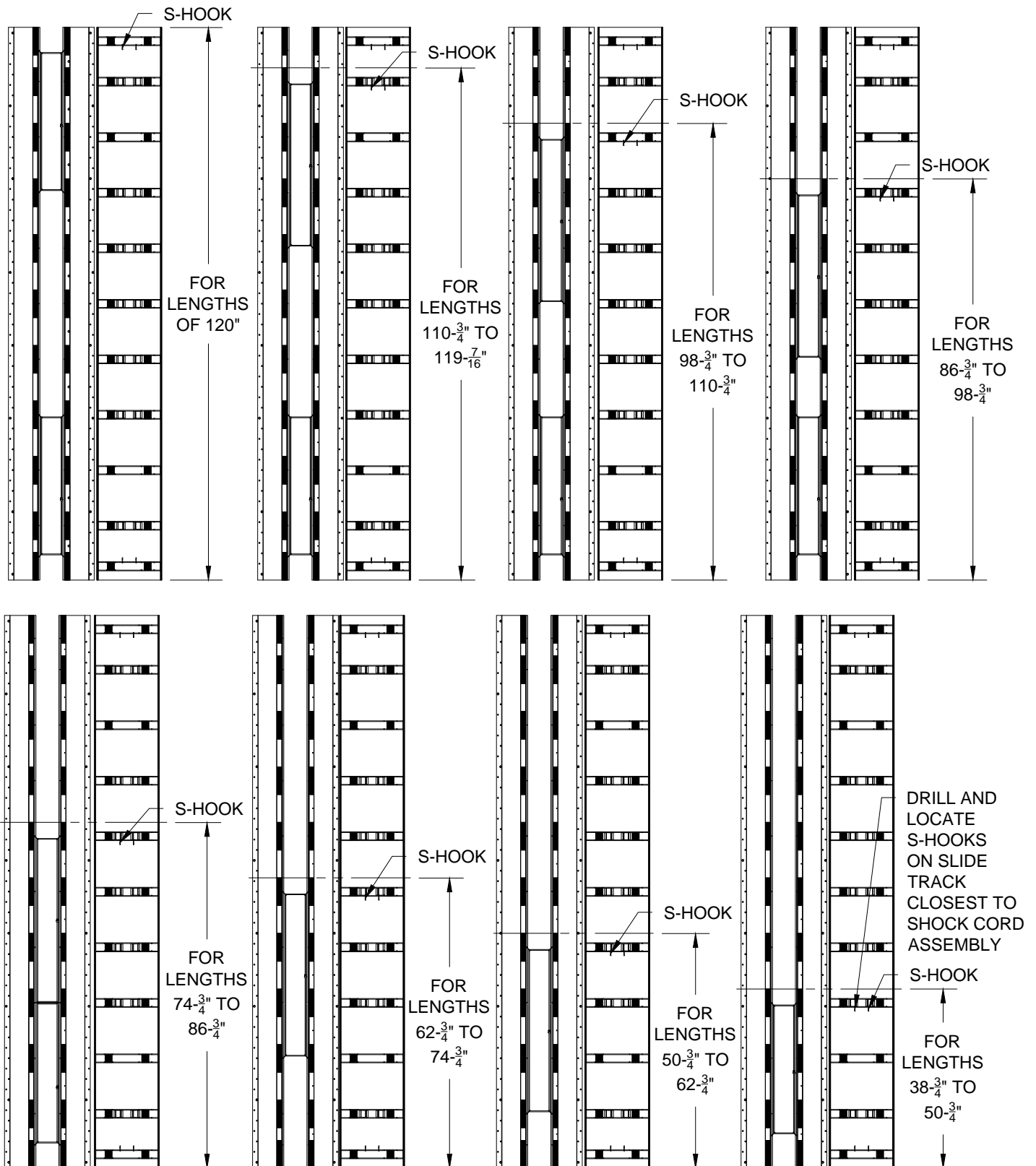
S-HOOK AND SHOCK CORD CONFIGURATIONS LAF 400 - 1600



Note:

- Align Panel next to retainers, if the panel has been cut down locate the slide track that is closest to the shock cord and drill $\varnothing 1/8"$ hole in the side of the slide track 5.25" in from the ends of the slide track. Place an S-hooks in slide track and crimp to lock into place. See details above for Shock Cord Configurations and S-Hook locations.
- For LAF-400/500: drill one $\varnothing 1/8"$ hole in the center of the side of the slide track. Place an S-Hook in the slide track and crimp to lock into place.

S-HOOK AND SHOCK CORD CONFIGURATIONS LAF 1700 - 2400



Note:

- Align Panel next to retainers, if the panel has been cut down, locate the slide track that is closest to the shock cord and drill the slide track that is closest to the shock cord and drill $\text{Ø}1/8"$ hole in the side of the slide track 5.25" in from the ends of the slide track. Place an S-hooks in slide track and crimp to lock into place. See details above for Shock Cord Configurations and S-Hook locations.