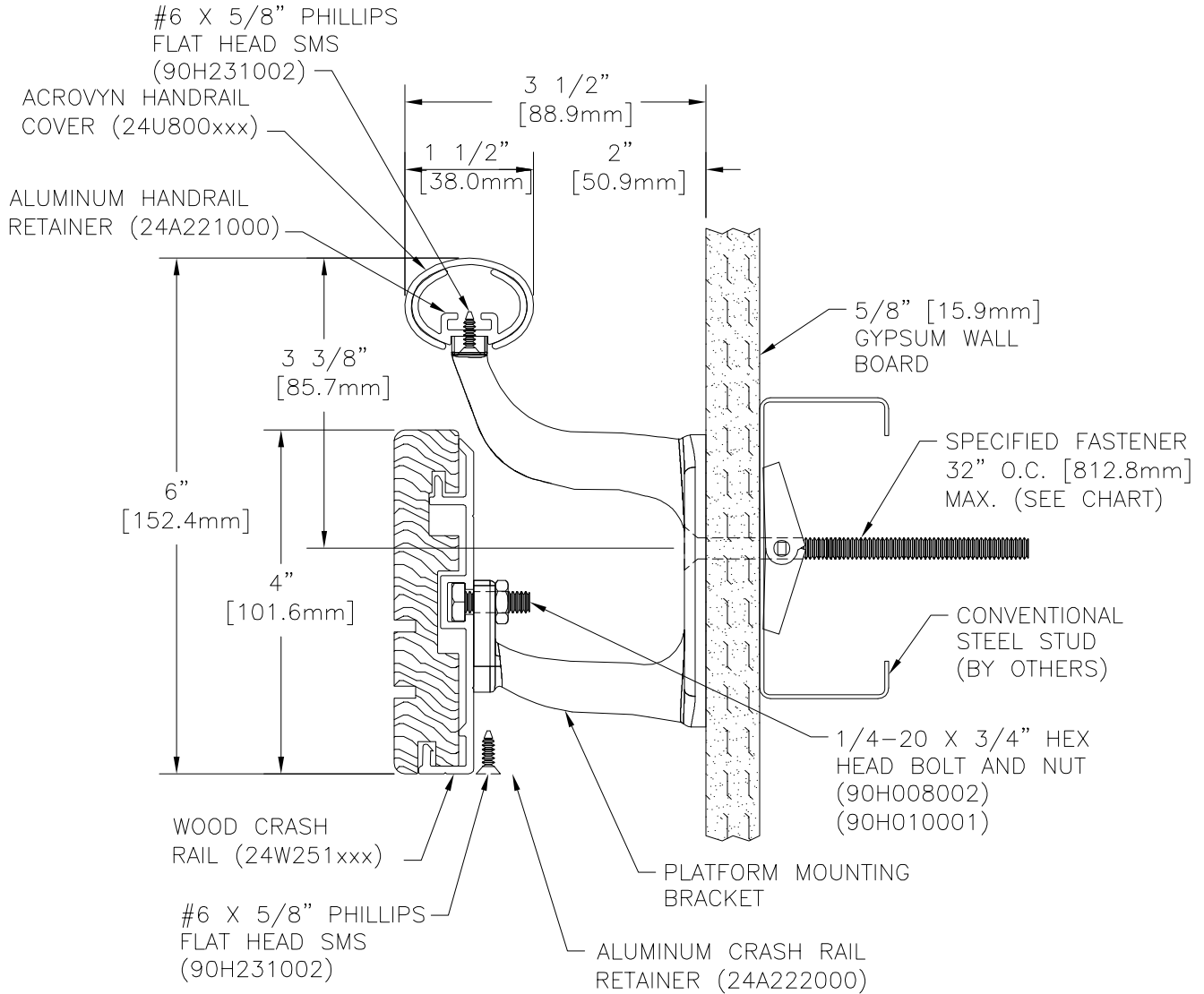


TOP RAIL COLOR: _____
 BOTTOM RAIL WOOD SPECIES: _____
 BOTTOM RAIL WOOD FINISH: _____
 BRACKET COLOR: _____
 REFER TO C/S CATALOG FOR OPTIONS. CUSTOM
 COLORS ARE AVAILABLE, BUT SUBJECT TO QUANTITY
 MINIMUMS.

TOTAL LF REQ'D	LEFT END CAPS	RIGHT END CAPS	OUTSIDE CORNERS



P-OAWGN

WALL CONDITION	SPECIFIED FASTENER	DRILL DIAMETERS		PART NUMBER
		WALL	RETAINER	
STEEL STUD/GYPSUM WALL	1/4-20 x 3" FL. HD. BOLT/TOGGLE WING	3/4"	9/32"	90H045002
CONCRETE/CONC. BLOCK	1/4" x 1 3/4" FLAT HEAD MASONRY	7/32"	9/32"	90H037004
WOOD STUD/GYPSUM WALL	#14 X 3" PHILLIPS FLAT HEAD WOOD SCREW	7/32"	9/32"	90H536002



Construction Specialties™
 895 Lakefront Promenade Mississauga, ON L5E 2C2
 (888) 895-8955 · Fax (905) 274-6241 · www.csgroup.com

PROJECT:		REV. :
LOCATION:		F&F:
CUSTOMER:		SHEET OF
AGENT:		JOB NO.
DWG. BY:	DATE:	