

TOP RAIL COLOR: _____

BRACKET COLOR: _____

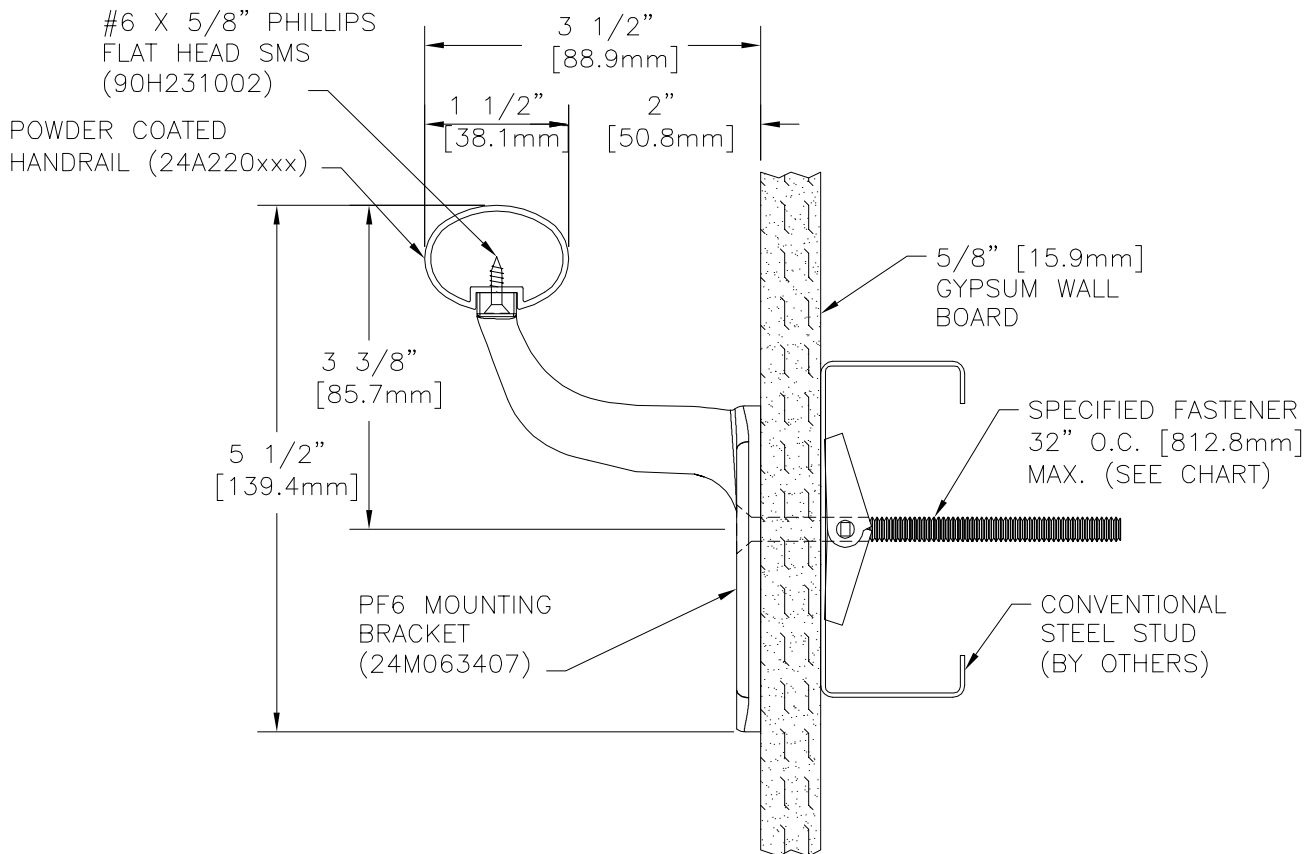
* REFER TO C/S CATALOG FOR BRACKET POWDERCOAT COLOR OPTIONS.

* REFER TO C/S CATALOG FOR OPTIONS. CUSTOM COLORS ARE AVAILABLE, BUT SUBJECT TO QUANTITY MINIMUMS.

TOTAL LF REQ'D	LEFT END CAPS	RIGHT END CAPS	OUTSIDE CORNERS

HRO-6M END CAP: 24M053xxx

HRO-6M 90° OS: 24M054xxx



P-OM

WALL CONDITION	SPECIFIED FASTENER	DRILL DIAMETERS		PART NUMBER
		WALL	RETAINER	
STEEL STUD/GYPSUM WALL	1/4-20 x 3" FL. HD. BOLT/TOGGLE WING	3/4"	9/32"	90H138004
CONCRETE/CONC. BLOCK	1/4" X 1 3/4" FLAT HEAD MASONRY ANCHOR	3/16"	9/32"	90H037004
WOOD STUD/GYPSUM WALL	#14 X 3" PHILLIPS FLAT HEAD WOOD SCREW	7/32"	9/32"	90H536002



Construction Specialties™

895 Lakefront Promenade Mississauga, ON L5E 2C2
(888) 895-8955 • Fax (905) 274-6241 • www.csgroup.com

PROJECT:		REV. :
LOCATION:		F&F:
CUSTOMER:		SHEET OF
AGENT:		JOB NO.
DWG. BY:	DATE:	