

## PCS & PCWS Series

### Technical Data:

#### Aluminum

- Sheet – 6061-T6, 3003-H14, T651, ASTM B209

#### Standard Loading

- 500 lbs.

### Product Description:

This serrated, metal, reduced slip, floor cover is designed for simple applications and is surface mounted over floor finishes. Custom widths and heavy duty versions are available.

### Use This Cover For:

- Applications where low maintenance and reduced slip is desired.
- Simple floor, wall & ceiling cover solution without complex functionality.
- Simple installation with no moving parts or blockout requirements.
- Retrofit applications

### Performance Characteristics:

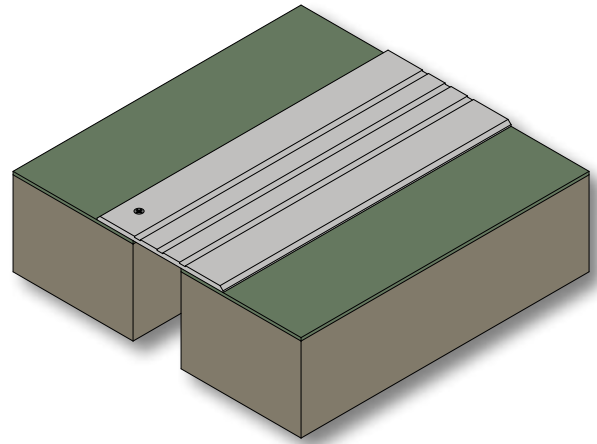
Single serrated plate design is anchored to only one slab allowing movement over the adjacent slab.

### Standard Finishes:

Formed plate models are directional polished and anodized.

### Installation Guidelines:

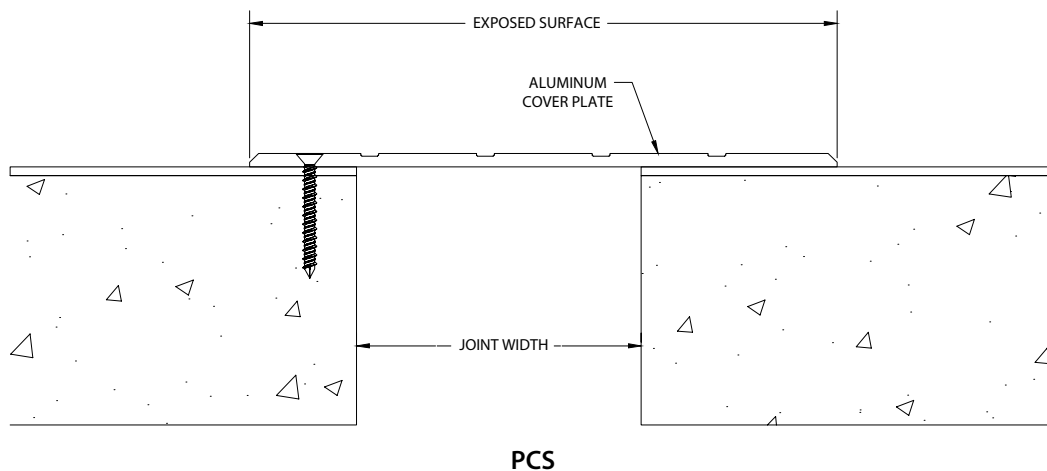
Cover plate is secured to floor using mechanical fasteners. For complete installation instructions, please visit [www.c-sgroup.com](http://www.c-sgroup.com).



Capable of Lateral Movement

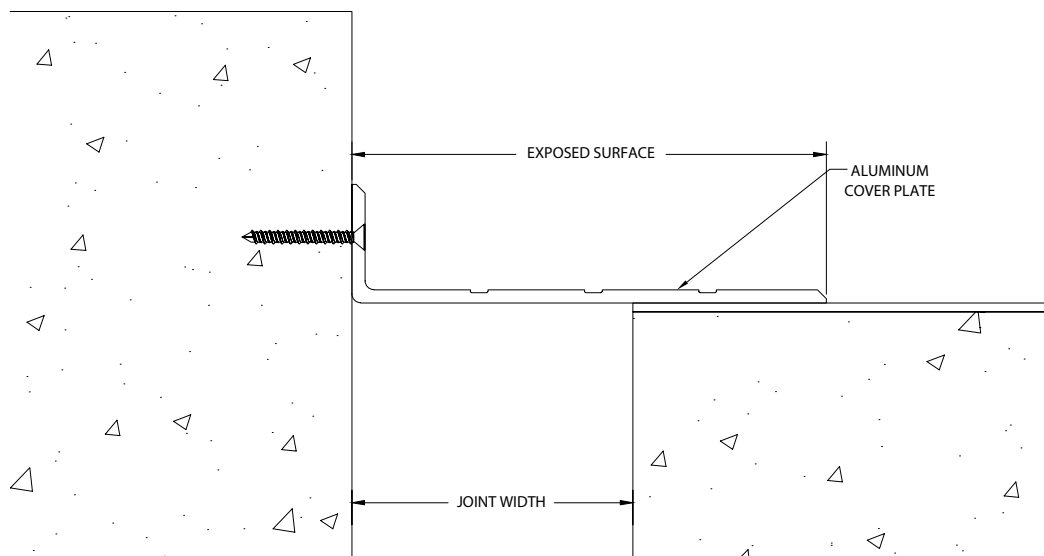
MODEL	JOINT WIDTH	MINIMUM OPENING	MAXIMUM OPENING	EXPOSED SURFACE	BLOCKOUT WIDTH	BLOCKOUT HEIGHT
PCS-100	1.00" (25mm)	0.00" (0mm)	2.25" (57mm)	3.75" (95mm)	N/A	N/A
PCS-200	2.00" (51mm)	0.00" (0mm)	3.75" (95mm)	5.25" (133mm)	N/A	N/A
PCS-300	3.00" (76mm)	0.00" (0mm)	5.25" (133mm)	6.75" (171mm)	N/A	N/A
PCS-400	4.00" (102mm)	0.00" (0mm)	6.75" (171mm)	8.25" (210mm)	N/A	N/A
PCS-500	5.00" (127mm)	0.00" (0mm)	8.25" (210mm)	9.75" (248mm)	N/A	N/A
PCS-600	6.00" (152mm)	0.00" (0mm)	9.75" (248mm)	11.25" (286mm)	N/A	N/A
PCS-700	7.00" (178mm)	0.00" (0mm)	11.25" (286mm)	12.75" (324mm)	N/A	N/A
PCS-800	8.00" (203mm)	0.00" (0mm)	12.75" (324mm)	14.25" (362mm)	N/A	N/A
PCS-900	9.00" (229mm)	0.00" (0mm)	14.25" (362mm)	15.75" (400mm)	N/A	N/A
PCS-1000	10.00" (254mm)	0.00" (0mm)	15.75" (400mm)	17.25" (438mm)	N/A	N/A
PCS-1100	11.00" (279mm)	0.00" (0mm)	17.25" (438mm)	18.75" (476mm)	N/A	N/A
PCS-1200	12.00" (305mm)	0.00" (0mm)	18.75" (476mm)	20.25" (514mm)	N/A	N/A
PCS-1300	13.00" (330mm)	0.00" (0mm)	20.25" (514mm)	21.75" (552mm)	N/A	N/A
PCS-1400	14.00" (356mm)	0.00" (0mm)	21.75" (552mm)	23.25" (591mm)	N/A	N/A
PCS-1500	15.00" (381mm)	0.00" (0mm)	23.25" (591mm)	24.75" (629mm)	N/A	N/A
PCS-1600	16.00" (406mm)	0.00" (0mm)	24.75" (629mm)	26.25" (667mm)	N/A	N/A

Contact factory for larger sizes.



MODEL	JOINT WIDTH	MINIMUM OPENING	MAXIMUM OPENING	EXPOSED SURFACE	BLOCKOUT WIDTH	BLOCKOUT HEIGHT
PCWS-100	1.00" (25mm)	0.00" (0mm)	2.25" (57mm)	2.25" (57mm)	N/A	N/A
PCWS-200	2.00" (51mm)	0.00" (0mm)	3.75" (95mm)	3.75" (95mm)	N/A	N/A
PCWS-300	3.00" (76mm)	0.00" (0mm)	5.25" (133mm)	5.25" (133mm)	N/A	N/A
PCWS-400	4.00" (102mm)	0.00" (0mm)	6.75" (171mm)	6.75" (171mm)	N/A	N/A
PCWS-500	5.00" (127mm)	0.00" (0mm)	8.25" (210mm)	8.25" (210mm)	N/A	N/A
PCWS-600	6.00" (152mm)	0.00" (0mm)	9.75" (248mm)	9.75" (248mm)	N/A	N/A
PCWS-700	7.00" (178mm)	0.00" (0mm)	11.25" (286mm)	11.25" (286mm)	N/A	N/A
PCWS-800	8.00" (203mm)	0.00" (0mm)	12.75" (324mm)	12.75" (324mm)	N/A	N/A
PCWS-900	9.00" (229mm)	0.00" (0mm)	14.25" (362mm)	14.25" (362mm)	N/A	N/A
PCWS-1000	10.00" (254mm)	0.00" (0mm)	15.75" (400mm)	15.75" (400mm)	N/A	N/A
PCWS-1100	11.00" (279mm)	0.00" (0mm)	17.25" (438mm)	17.25" (438mm)	N/A	N/A
PCWS-1200	12.00" (305mm)	0.00" (0mm)	18.75" (476mm)	18.75" (476mm)	N/A	N/A
PCWS-1300	13.00" (330mm)	0.00" (0mm)	20.25" (514mm)	20.25" (514mm)	N/A	N/A
PCWS-1400	14.00" (356mm)	0.00" (0mm)	21.75" (552mm)	21.75" (552mm)	N/A	N/A
PCWS-1500	15.00" (381mm)	0.00" (0mm)	23.25" (591mm)	23.25" (591mm)	N/A	N/A
PCWS-1600	16.00" (406mm)	0.00" (0mm)	24.75" (629mm)	24.75" (629mm)	N/A	N/A

Contact factory for larger sizes.



PCWS