

RFA & RFWA Series

A product of C/S Restofit Joint Systems

Technical Data:

Aluminum

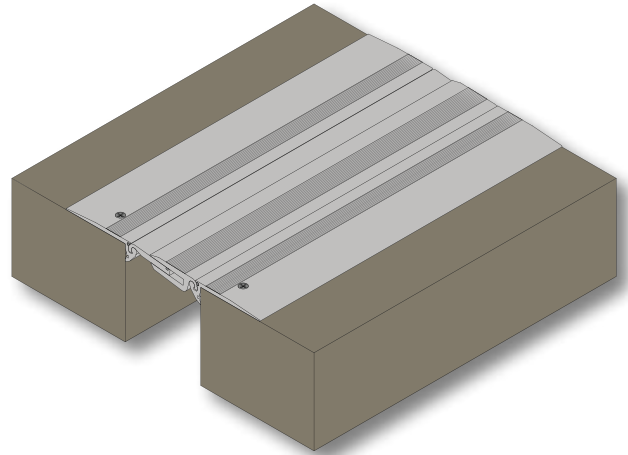
- Extrusion – C/S uses multiple alloys & tempers which are established to be the most appropriate for the given use of individual parts. Will be one of the following: (6063-T5, T6, T52) (6061-T5, T6, T51) (6105-T5, T6) (6005-T5) (6005A-T5, T61), ASTM B221

Standard Loading

- Heavy-Duty

Product Description:

This all metal surface mounted cover is highly resistant to rolling loads, distortion, and wear and includes slip-resistant serrations. It is intended for interior or exterior applications where minimal movement is expected. Cover can be installed over existing floor finishes.



Use This Cover For:

- Applications where low maintenance is desirable
- Can accommodate pedestrian and heavy-duty loading
- Can accommodate offsets in floor elevation
(Contact your sales representative for details)
- New or retrofit applications

Performance Characteristics:

The unique interlocking cover design allows for horizontal movement in the floor slab, as well as some vertical deflection, and is designed to withstand frequent rolling loads. This system is also ideal for areas where significant foot traffic is expected such as malls and airports and is considered extremely low maintenance. The interlocking cover assembly utilizes small gaskets to eliminate any metal-to-metal noise. Complies with 2009 IBC Table 1607.1 use #16 for vehicular traffic.

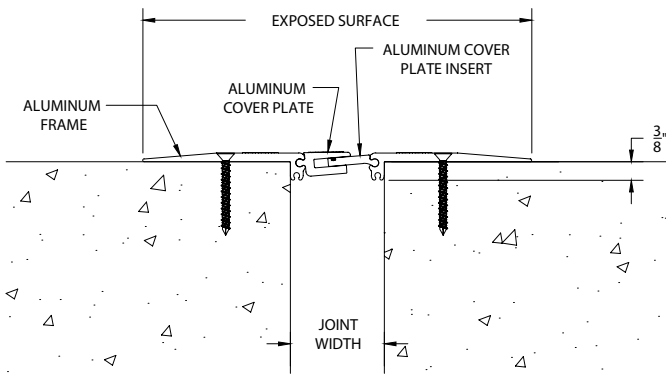
Standard Finishes:

Mill finish. Aluminum in contact with concrete/masonry will have a 2 mil heavy metal free high solids primer.

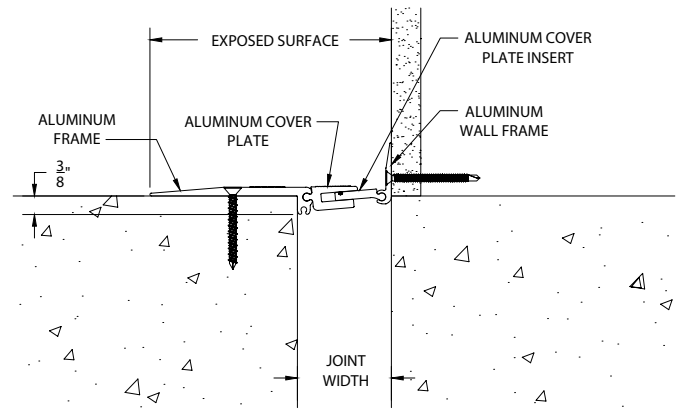
Installation Guidelines:

The cover assembly is delivered in a fixed position/width through the use of shipping straps engineered for the specific movement criteria of the project. Center the assembly over the joint opening and fasten in place with supplied mechanical fasteners. Remove shipping strap after attachment. For complete installation instructions, please visit www.c-sgroup.com.

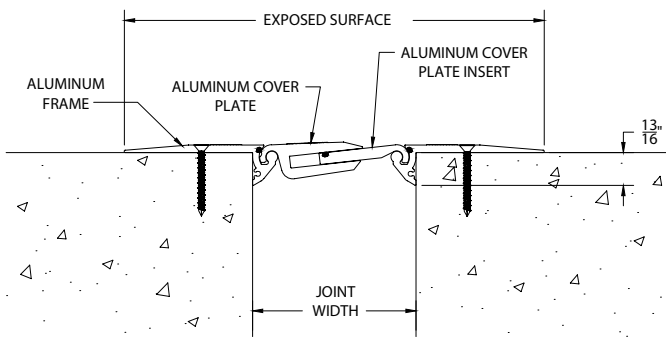
MODEL	JOINT WIDTH	MINIMUM OPENING	MAXIMUM OPENING	EXPOSED SURFACE	BLOCKOUT WIDTH	BLOCKOUT HEIGHT
RFA-200	2.00" (51mm)	1.75" (44mm)	2.25" (57mm)	8.25" (210mm)	N/A	N/A
RFA-300	3.00" (76mm)	2.63" (67mm)	3.38" (86mm)	9.25" (235mm)	N/A	N/A
RFA-400	4.00" (102mm)	3.38" (86mm)	4.63" (118mm)	10.25" (260mm)	N/A	N/A
RFWA-200	2.00" (51mm)	1.75" (44mm)	2.25" (57mm)	5.13" (130mm)	N/A	N/A
RFWA-300	3.00" (76mm)	2.63" (67mm)	3.38" (86mm)	6.13" (156mm)	N/A	N/A
RFWA-400	4.00" (102mm)	3.38" (86mm)	4.63" (118mm)	7.13" (181mm)	N/A	N/A



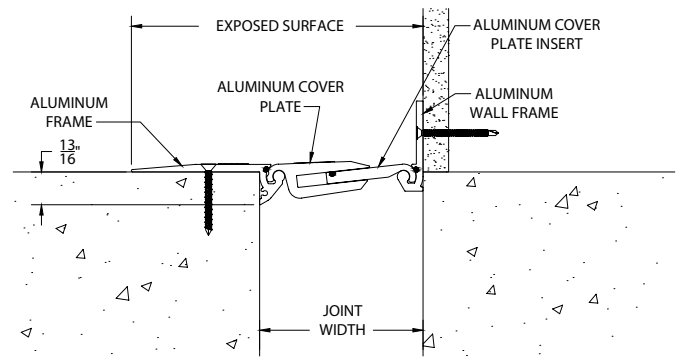
RFA-200



RFWA-200



RFA-300/400



RFWA-300/400