

RFC & RFWC Series

A product of C/S Restofit Joint Systems

Technical Data:

Aluminum

- Extrusion – C/S uses multiple alloys & tempers which are established to be the most appropriate for the given use of individual parts. Will be one of the following: (6063-T5, T6, T52) (6061-T5, T6, T51) (6105-T5, T6) (6005-T5) (6005A-T5, T61), ASTM B221
- Sheet – 6061-T6, 3003-H14, 5005-H34, ASTM B209

Turnbar

- Material – Injection molded, glass-reinforced plastic

Standard Loading

- 500 lbs.

Product Description:

This flush mounted metal floor cover is designed for interior, new or retrofit applications. The joint can be designed for up to 100% movement.

Use This Cover For:

- Interior, new or retrofit applications.
- Applications requiring movements up to 100% of joint width.
- Optional waterstop available for wet areas.

Performance Characteristics:

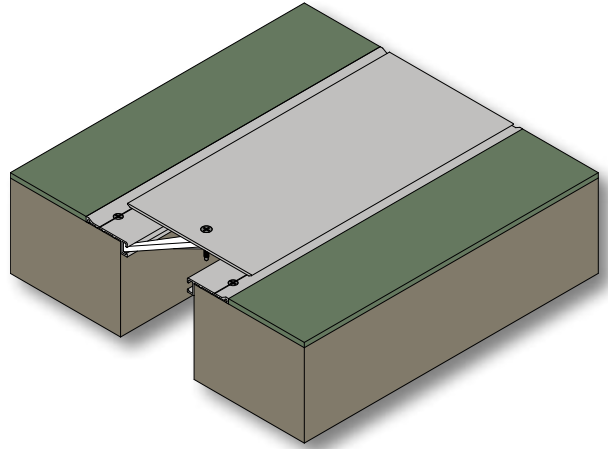
Self-centering aluminum cover plate remains flush during thermal movement, but temporarily displaces and slides over floor surface during seismic movement.

Standard Finishes:

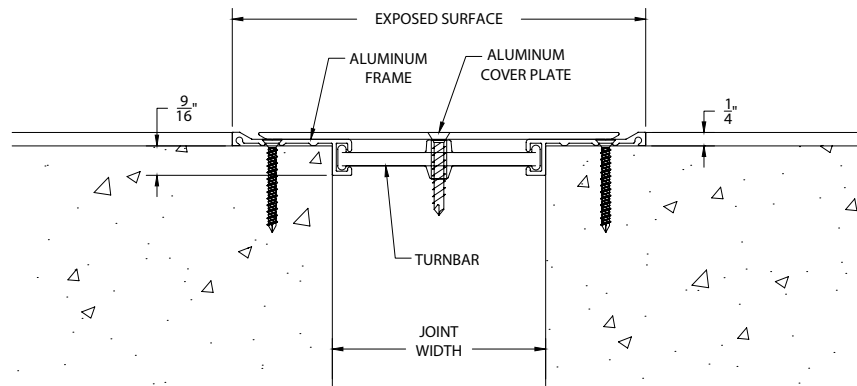
Mill finish. Cover plate to receive #3 brushed, non-slip finish. Aluminum surfaces in contact with concrete will be protected with a minimum 2 mil coating of a heavy metal free high solids primer.

Installation Guidelines:

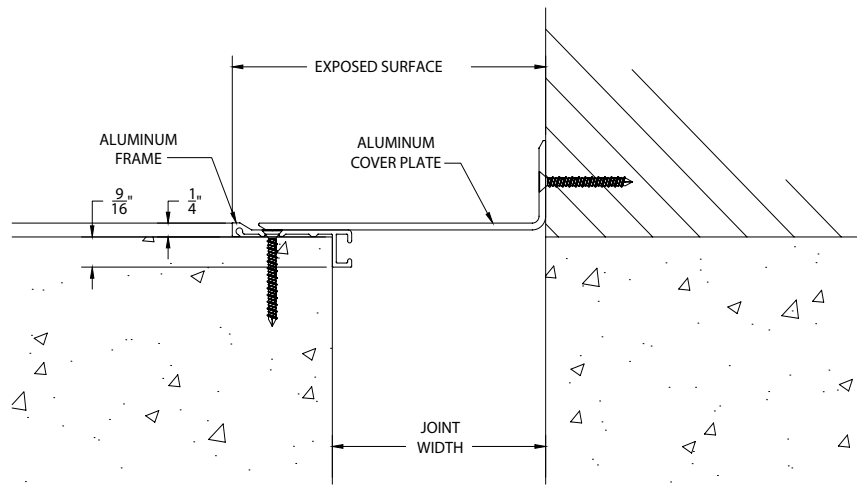
Frames to be secured to floor with mechanical anchors. Cover plate secured to frames with turnbars and screws. For complete installation instructions, please visit www.c-sgroup.com.



MODEL	JOINT WIDTH	MINIMUM OPENING	MAXIMUM OPENING	EXPOSED SURFACE	BLOCKOUT WIDTH	BLOCKOUT HEIGHT
RFC-200	2.00" (51mm)	1.25" (32mm)	4.00" (102mm)	5.75" (146mm)	N/A	N/A
RFC-300	3.00" (76mm)	1.25" (32mm)	6.00" (152mm)	6.75" (171mm)	N/A	N/A
RFC-400	4.00" (102mm)	1.25" (32mm)	7.00" (178mm)	7.75" (197mm)	N/A	N/A
RFC-200	2.00" (51mm)	0.38" (10mm)	3.50" (89mm)	3.88" (99mm)	N/A	N/A
RFC-300	3.00" (76mm)	0.38" (10mm)	4.50" (114mm)	4.88" (124mm)	N/A	N/A
RFC-400	4.00" (102mm)	0.38" (10mm)	5.50" (140mm)	5.88" (149mm)	N/A </tr	



RFC



RFWC