

RFD & RFWD Series

A product of C/S Restofit Joint Systems

Technical Data:

Aluminum

- Extrusion – C/S uses multiple alloys & tempers which are established to be the most appropriate for the given use of individual parts. Will be one of the following: (6063-T5, T6, T52) (6061-T5, T6, T51) (6105-T5, T6) (6005-T5) (6005A-T5, T61), ASTM B221
- Sheet – 6061-T6, 3003-H14, 5005-H34, ASTM B209

Standard Loading

- 2,000 lbs.

Product Description:

This metal floor cover is designed for simple applications and can be surface mounted over floor finishes. Hinged assembly can accommodate a maximum 1 3/8" slab offset in floor elevation. The cover also includes slip-resistant serrations.

NOTE: Offset differentials in excess of 1/2" may not meet ADA guidelines. Please consult your sales representative.

Use This Cover For:

- Applications where low maintenance is desirable
- Can accommodate pedestrian and heavy-duty loading
- Can accommodate offset in floor elevation
- New or retrofit applications

Performance Characteristics:

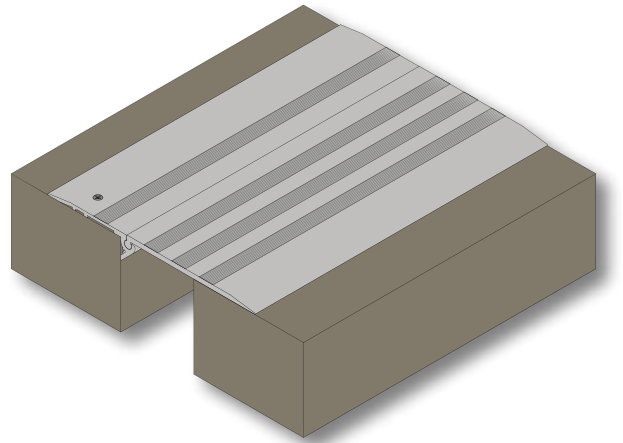
Single hinged plate design is anchored to only one slab allowing movement over the adjacent slab. Complies with 2009 IBC Table 1607.1 use #16 for vehicular traffic.

Standard Finishes:

Extruded plates in mill finish.

Installation Guidelines:

Cover plate is slid into hinge frame and is secured to floor using mechanical fasteners. For complete installation instructions, please visit www.c-sgroup.com.



MODEL	JOINT WIDTH	MINIMUM OPENING	MAXIMUM OPENING	EXPOSED SURFACE	BLOCKOUT WIDTH	BLOCKOUT HEIGHT
RFD-100	1.00" (25mm)	0.75" (19mm)	2.00" (51mm)	9.38" (238mm)	N/A	N/A
RFD-200	2.00" (51mm)	0.75" (19mm)	4.00" (102mm)	9.38" (238mm)	N/A	N/A
RFD-300	3.00" (76mm)	0.75" (19mm)	6.00" (152mm)	11.38" (289mm)	N/A	N/A
RFD-400	4.00" (102mm)	0.75" (19mm)	6.50" (165mm)	11.38" (289mm)	N/A	N/A
RFD-500	5.00" (127mm)	0.75" (19mm)	8.00" (203mm)	15.38" (391mm)	N/A	N/A
RFD-600	6.00" (152mm)	0.75" (19mm)	8.00" (203mm)	15.38" (391mm)	N/A	N/A
RFD-700	7.00" (178mm)	0.75" (19mm)	11.00" (279mm)	18.38" (467mm)	N/A	N/A
RFD-800	8.00" (203mm)	0.75" (19mm)	11.00" (279mm)	18.38" (467mm)	N/A	N/A
RFWD-100	1.00" (25mm)	0.75" (19mm)	2.00" (51mm)	5.38" (137mm)	N/A	N/A
RFWD-200	2.00" (51mm)	0.75" (19mm)	4.00" (102mm)	5.38" (137mm)	N/A	N/A
RFWD-300	3.00" (76mm)	0.75" (19mm)	6.00" (152mm)	7.38" (187mm)	N/A	N/A
RFWD-400	4.00" (102mm)	0.75" (19mm)	6.50" (165mm)	7.38" (187mm)	N/A	N/A
RFWD-500	5.00" (127mm)	0.75" (19mm)	8.00" (203mm)	10.75" (273mm)	N/A	N/A
RFWD-600	6.00" (152mm)	0.75" (19mm)	8.00" (203mm)	10.75" (273mm)	N/A	N/A
RFWD-700	7.00" (178mm)	0.75" (19mm)	11.00" (279mm)	13.75" (349mm)	N/A	N/A
RFWD-800	8.00" (203mm)	0.75" (19mm)	11.00" (279mm)	13.75" (349mm)	N/A	N/A

