

## SFW & SCW Series

### Technical Data:

#### Aluminum

- Extrusion – C/S uses multiple alloys & tempers which are established to be the most appropriate for the given use of individual parts. Will be one of the following: (6063-T5, T6, T52) (6061-T5, T6, T51) (6105-T5, T6) (6005-T5) (6005A-T5, T6), ASTM B221
- Sheet – 6061-T6, 3003-H14, 5005-H34, ASTM B209

#### Duroflex Gasket

- Single Durometer – 80 Shore A, ASTM D200
- Color - Gray

#### Turnbar

- Material - C1075 Blue Temper Spring Steel
- Hardness - RC 44-47
- Finish - "A" Coating (Corrosion Protection)

### Product Description:

This surface mounted metal wall cover is designed for interior applications where low maintenance is desirable.

### Use This Cover For:

- Interior applications to match select metal floor covers.
- Interior applications where low maintenance is desirable.

### Performance Characteristics:

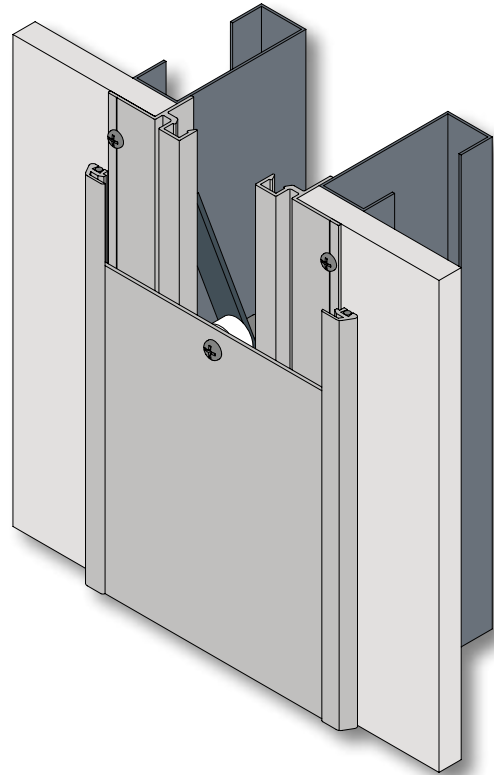
Self-centering aluminum center plate spans joint and slides between retainer assemblies to allow movement when required. Cover can be painted to match wall finish.

### Standard Finishes:

Clear anodize finish. Kynar® paint available.

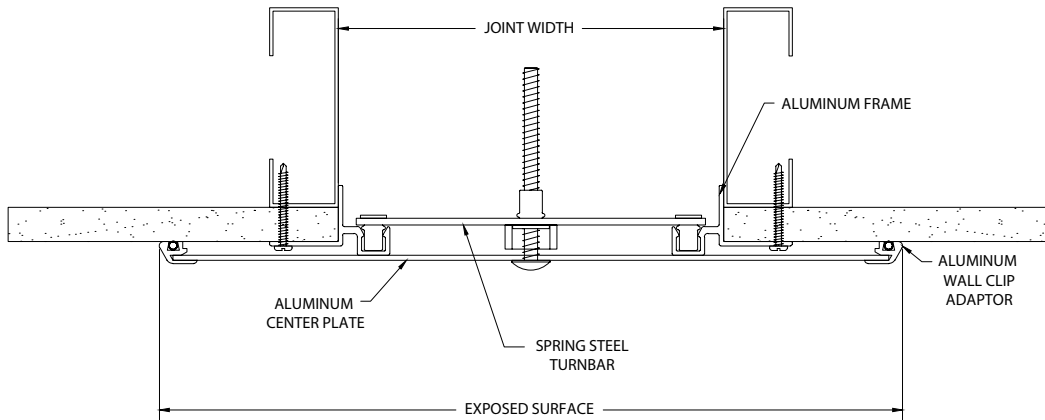
### Installation Guidelines:

Install the retainer with the fasteners as supplied by C/S. This model also uses a turnbar assembly. There are some great tips in the complete C/S installation instructions. For the complete installation instructions, please visit [www.c-sgroup.com](http://www.c-sgroup.com).



MODEL	JOINT WIDTH	MINIMUM OPENING	MAXIMUM OPENING	EXPOSED SURFACE	BLOCKOUT WIDTH	BLOCKOUT HEIGHT
SFW-400	4.00" (102mm)	2.88" (73mm)	7.25" (184mm)	7.50" (191mm)	N/A	N/A
SFW-500	5.00" (127mm)	2.88" (73mm)	9.25" (235mm)	10.50" (267mm)	N/A	N/A
SFW-600	6.00" (152mm)	2.88" (73mm)	9.25" (235mm)	11.94" (303mm)	N/A	N/A
SFW-700	7.00" (178mm)	2.88" (73mm)	13.25" (337mm)	13.50" (343mm)	N/A	N/A
SFW-800	8.00" (203mm)	2.88" (73mm)	14.13" (359mm)	15.00" (381mm)	N/A	N/A
SFW-900	9.00" (229mm)	2.88" (73mm)	14.13" (359mm)	16.50" (419mm)	N/A	N/A
SFW-1000	10.00" (254mm)	2.88" (73mm)	17.63" (448mm)	17.94" (456mm)	N/A	N/A
SFW-1100	11.00" (279mm)	2.88" (73mm)	18.50" (470mm)	19.50" (495mm)	N/A	N/A
SFW-1200	12.00" (305mm)	2.88" (73mm)	18.50" (470mm)	21.00" (533mm)	N/A	N/A
SFW-1300	13.00" (330mm)	2.88" (73mm)	22.13" (562mm)	22.50" (572mm)	N/A	N/A
SFW-1400	14.00" (356mm)	2.88" (73mm)	22.75" (578mm)	23.94" (608mm)	N/A	N/A
SFW-1500	15.00" (381mm)	2.88" (73mm)	22.75" (578mm)	25.50" (648mm)	N/A	N/A
SFW-1600	16.00" (406mm)	2.88" (73mm)	25.88" (657mm)	27.00" (686mm)	N/A	N/A

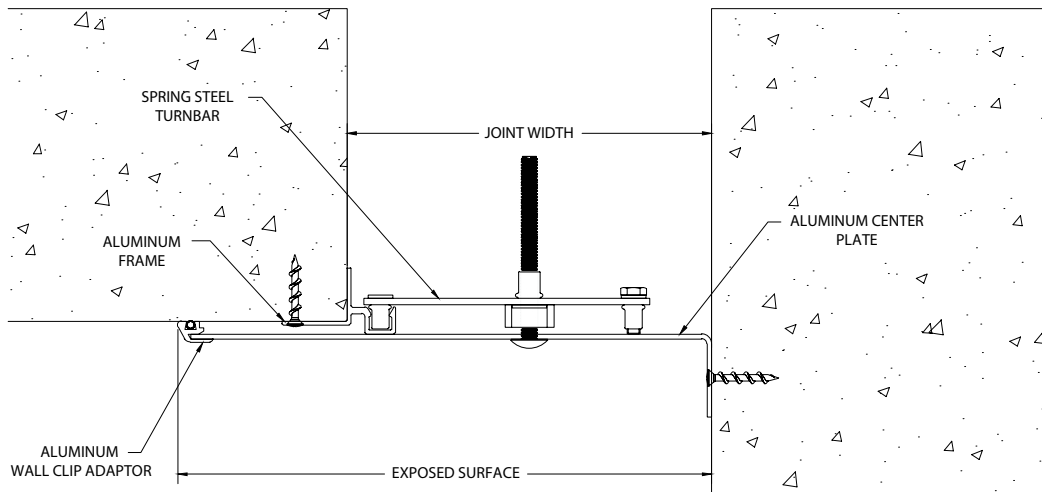
**NOTE: No turnbar required for SCW 4"-6" models  
Call factory for joints larger than 16"**



**SFW**

MODEL	JOINT WIDTH	MINIMUM OPENING	MAXIMUM OPENING	EXPOSED SURFACE	BLOCKOUT WIDTH	BLOCKOUT HEIGHT
SCW-400	4.00" (102mm)	0.00" (0mm)	5.56" (141mm)	5.75" (146mm)	N/A	N/A
SCW-500	5.00" (127mm)	0.00" (0mm)	7.56" (192mm)	7.75" (197mm)	N/A	N/A
SCW-600	6.00" (152mm)	0.00" (0mm)	8.81" (224mm)	9.00" (229mm)	N/A	N/A
SCW-700	7.00" (178mm)	5.00" (127mm)	10.13" (257mm)	10.25" (260mm)	N/A	N/A
SCW-800	8.00" (203mm)	5.44" (138mm)	11.06" (281mm)	11.50" (292mm)	N/A	N/A
SCW-900	9.00" (229mm)	5.94" (151mm)	11.69" (297mm)	12.75" (324mm)	N/A	N/A
SCW-1000	10.00" (254mm)	6.44" (164mm)	13.88" (353mm)	14.00" (356mm)	N/A	N/A
SCW-1100	11.00" (279mm)	6.94" (176mm)	14.81" (376mm)	15.25" (387mm)	N/A	N/A
SCW-1200	12.00" (305mm)	7.44" (189mm)	15.31" (389mm)	16.50" (419mm)	N/A	N/A
SCW-1300	13.00" (330mm)	7.94" (202mm)	17.63" (448mm)	17.75" (451mm)	N/A	N/A
SCW-1400	14.00" (356mm)	8.44" (214mm)	18.38" (467mm)	19.00" (483mm)	N/A	N/A
SCW-1500	15.00" (381mm)	8.94" (227mm)	18.88" (480mm)	20.25" (514mm)	N/A	N/A
SCW-1600	16.00" (406mm)	9.44" (240mm)	19.38" (492mm)	21.50" (546mm)	N/A	N/A

**NOTE: No turnbar required for SCW 4"-6" models  
Call factory for joints larger than 16"**



SCW