

SGW & SGWC Series

Technical Data:

Aluminum

- Extrusion – C/S uses multiple alloys & tempers which are established to be the most appropriate for the given use of individual parts. Will be one of the following: (6063-T5, T6, T52) (6061-T5, T6, T51) (6105-T5, T6) (6005-T5) (6005A-T5, T61), ASTM B221
- Sheet – 6061-T6, 3003-H14, 5005-H34, ASTM B209

Primary Seal

- Dual Durometer 65 Shore A, 90 Shore A, ASTM D2000
- Available in 4 colors.

Turnbar

- Material – C1075 Blue Temper Spring Steel
- Hardness - RC 44-47
- Finish - "A" Coating (Corrosion Protection)

Product Description:

This dual gasket, flush wall cover is ideal for areas with larger movement requirements. This model is also designed to match flush dual-gasket covers used in the floor.

Use This Cover For:

- Wall and ceiling applications to match dual-gasket flush covers used in the floor.
- Suitable for G.W.B. wall and ceiling finishes.
- Where hygiene is important.

Performance Characteristics:

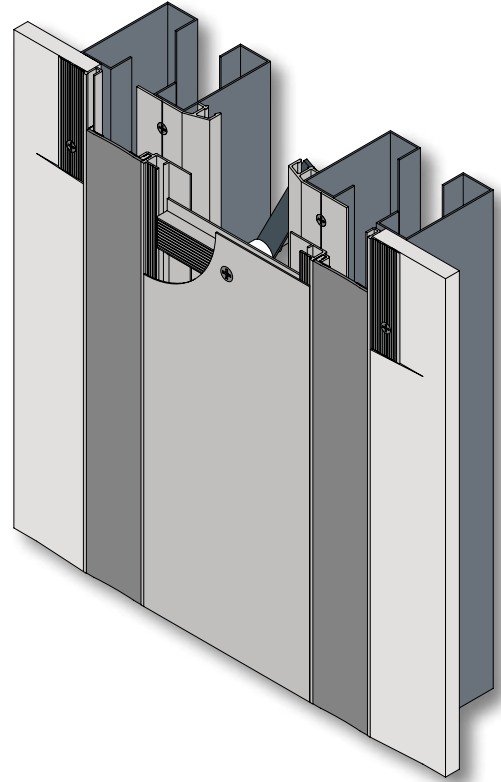
The dual durometer TPR gasket has rigid edges designed to lock into the aluminum retainers. This prevents hairline gaps from opening between the gasket and retainer ensuring a hygienic seal. The center section of the gasket allows full movement without the need for grooves in the face surface which collect dirt. Dual gaskets allow for greater expansion and compression during movement. Durable self-centering aluminum plate spans joint opening.

Standard Finishes:

Clear anodize on any exposed aluminum. Cover plate can be painted to match adjacent wall finishes. Gasket is available in Black, White, Gray, & Greige.

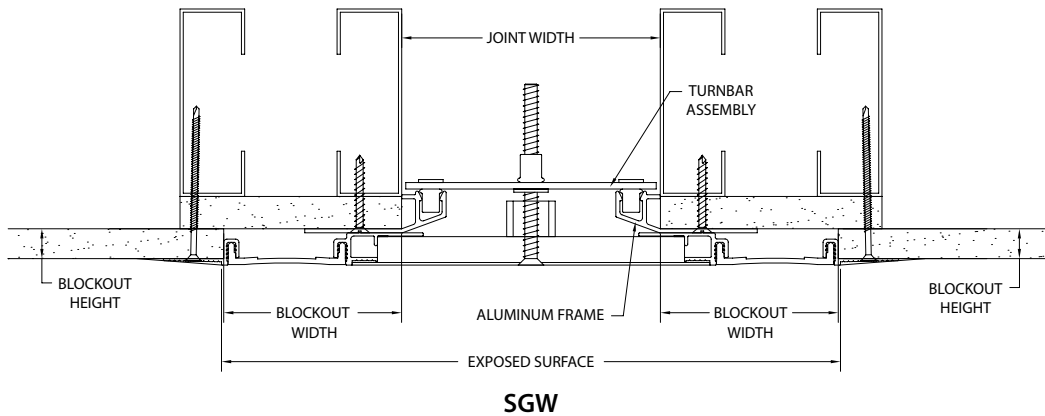
Installation Guidelines:

Blockouts must be prepared to receive the joint cover. Attach aluminum retainers to wall using mechanical fasteners. There are some great tips in the complete C/S installation instructions. For the complete installation instructions, please visit www.c-sgroup.com.



MODEL	JOINT WIDTH	MINIMUM OPENING	MAXIMUM OPENING	EXPOSED SURFACE	BLOCKOUT WIDTH	BLOCKOUT HEIGHT
SGW-500	5.00" (127mm)	2.75" (70mm)	8.75" (222mm)	12.00" (305mm)	3.50" (89mm)	0.63" (16mm)
SGW-600	6.00" (152mm)	2.75" (70mm)	9.25" (235mm)	13.00" (330mm)	3.50" (89mm)	0.63" (16mm)
SGW-700	7.00" (178mm)	2.75" (70mm)	11.75" (298mm)	15.00" (381mm)	4.00" (102mm)	0.63" (16mm)
SGW-800	8.00" (203mm)	2.75" (70mm)	12.75" (324mm)	16.00" (406mm)	4.00" (102mm)	0.63" (16mm)
SGW-900	9.00" (229mm)	2.75" (70mm)	14.13" (359mm)	18.00" (457mm)	4.50" (114mm)	0.63" (16mm)
SGW-1000	10.00" (254mm)	2.75" (70mm)	15.75" (400mm)	19.00" (483mm)	4.50" (114mm)	0.63" (16mm)
SGW-1100	11.00" (279mm)	2.75" (70mm)	17.75" (451mm)	21.00" (533mm)	5.00" (127mm)	0.63" (16mm)
SGW-1200	12.00" (305mm)	2.75" (70mm)	18.75" (476mm)	22.00" (559mm)	5.00" (127mm)	0.63" (16mm)
SGW-1300	13.00" (330mm)	2.75" (70mm)	20.75" (527mm)	24.00" (610mm)	5.50" (140mm)	0.63" (16mm)
SGW-1400	14.00" (356mm)	2.75" (70mm)	21.75" (552mm)	25.00" (635mm)	5.50" (140mm)	0.63" (16mm)
SGW-1500	15.00" (381mm)	2.75" (70mm)	22.75" (578mm)	27.00" (686mm)	6.00" (152mm)	0.63" (16mm)
SGW-1600	16.00" (406mm)	2.75" (70mm)	24.75" (629mm)	28.00" (711mm)	6.00" (152mm)	0.63" (16mm)

Call factory for joints larger than 16"



MODEL	JOINT WIDTH	MINIMUM OPENING	MAXIMUM OPENING	EXPOSED SURFACE	BLOCKOUT WIDTH	BLOCKOUT HEIGHT
SGWC-500	5.00" (127mm)	3.75" (95mm)	6.75" (171mm)	8.50" (216mm)	3.50" (89mm)	0.63" (16mm)
SGWC-600	6.00" (152mm)	4.25" (108mm)	7.50" (191mm)	9.50" (241mm)	3.50" (89mm)	0.63" (16mm)
SGWC-700	7.00" (178mm)	5.00" (127mm)	9.25" (235mm)	11.00" (279mm)	4.00" (102mm)	0.63" (16mm)
SGWC-800	8.00" (203mm)	5.50" (140mm)	10.25" (260mm)	12.00" (305mm)	4.00" (102mm)	0.63" (16mm)
SGWC-900	9.00" (229mm)	6.00" (152mm)	11.50" (292mm)	13.50" (343mm)	4.50" (114mm)	0.63" (16mm)
SGWC-1000	10.00" (254mm)	6.50" (165mm)	12.75" (324mm)	14.50" (368mm)	4.50" (114mm)	0.63" (16mm)
SGWC-1100	11.00" (279mm)	7.00" (178mm)	14.25" (362mm)	16.00" (406mm)	5.00" (127mm)	0.63" (16mm)
SGWC-1200	12.00" (305mm)	7.50" (191mm)	15.25" (387mm)	17.00" (432mm)	5.00" (127mm)	0.63" (16mm)
SGWC-1300	13.00" (330mm)	8.00" (203mm)	16.75" (425mm)	18.50" (470mm)	5.50" (140mm)	0.63" (16mm)
SGWC-1400	14.00" (356mm)	8.50" (216mm)	17.75" (451mm)	19.50" (495mm)	5.50" (140mm)	0.63" (16mm)
SGWC-1500	15.00" (381mm)	9.00" (229mm)	18.75" (476mm)	21.00" (533mm)	6.00" (152mm)	0.63" (16mm)
SGWC-1600	16.00" (406mm)	9.50" (241mm)	20.25" (514mm)	22.00" (559mm)	6.00" (152mm)	0.63" (16mm)

Call factory for joints larger than 16"

