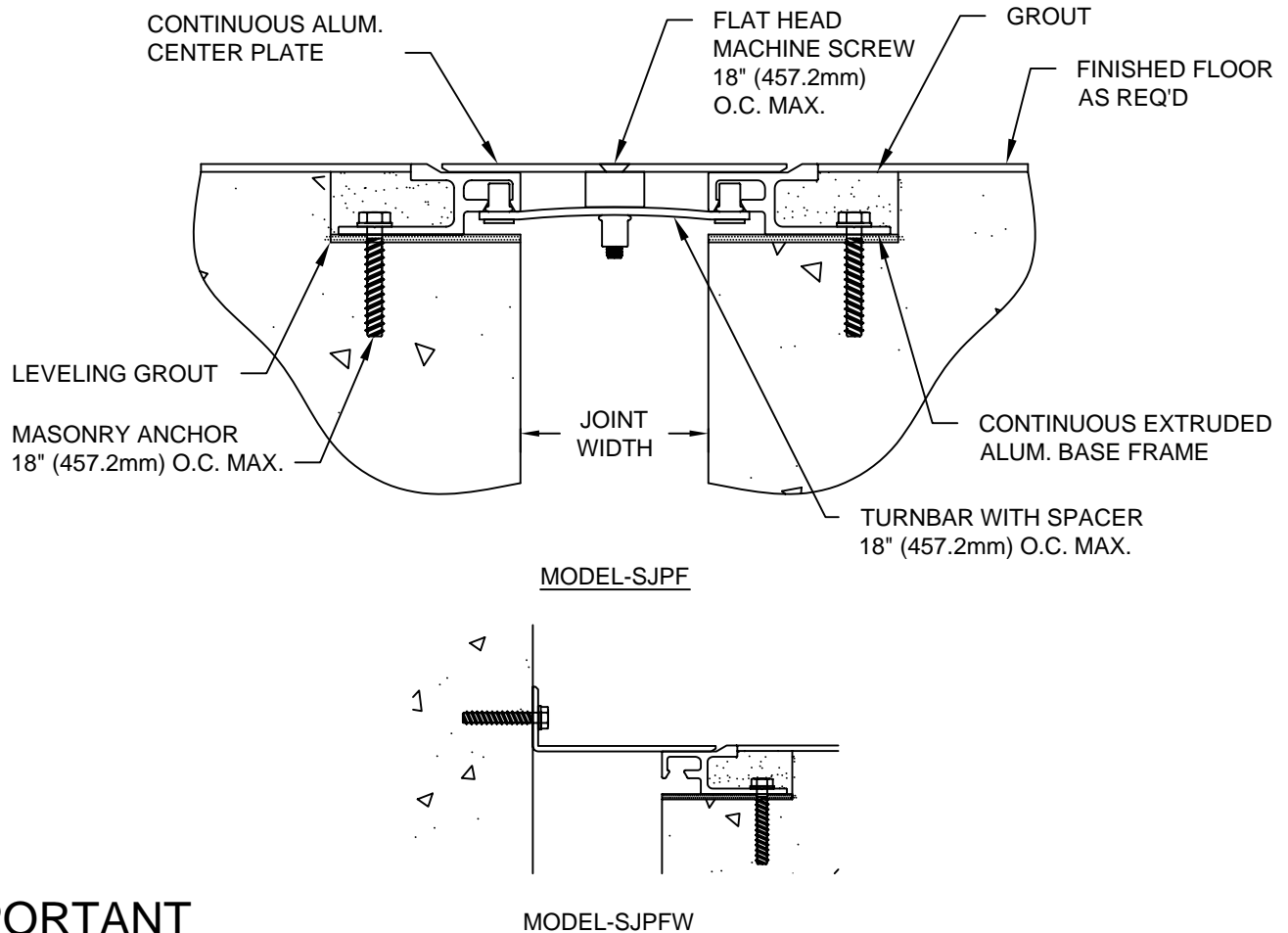


# MODEL SJPF & SJPFW

## 100 THRU 300

### INSTALLATION INSTRUCTIONS



## IMPORTANT INFORMATION

Prior to the commencement of Installation, all materials **MUST** be inspected for Damage. Any damage must be reported to CONSTRUCTION SPECIALTIES, INC., as soon as possible, so that replacement materials may be furnished without delay.

All work must be completed as per Architect's Approved "Shop Drawings", and in accordance with these Installation Instructions. When installation is complete, all materials must be protected from damage until the Architect's FINAL INSPECTION.

All materials should be arranged in the order that they are to be installed. All hardware required for each portion of the work should be placed with the appropriate materials.

Please review all Approved Shop Drawings and this Document to familiarize yourself with all the details and components of this assembly.

## IMPORTANT:

**READ THROUGH ALL INSTRUCTIONS PRIOR TO STARTING INSTALLATION**

3/31/06

### CONSTRUCTION SPECIALTIES, INC.

P.O. BOX 380  
MUNCY, PA 17756  
PHONE: (570)546-5941 FAX: (570)546-8022

This document is the property of Construction Specialties, Inc. and contains CONFIDENTIAL PROPRIETARY INFORMATION that is not to be disclosed to third parties and is not to be used without approval in writing from Construction Specialties, Inc.

Notes:

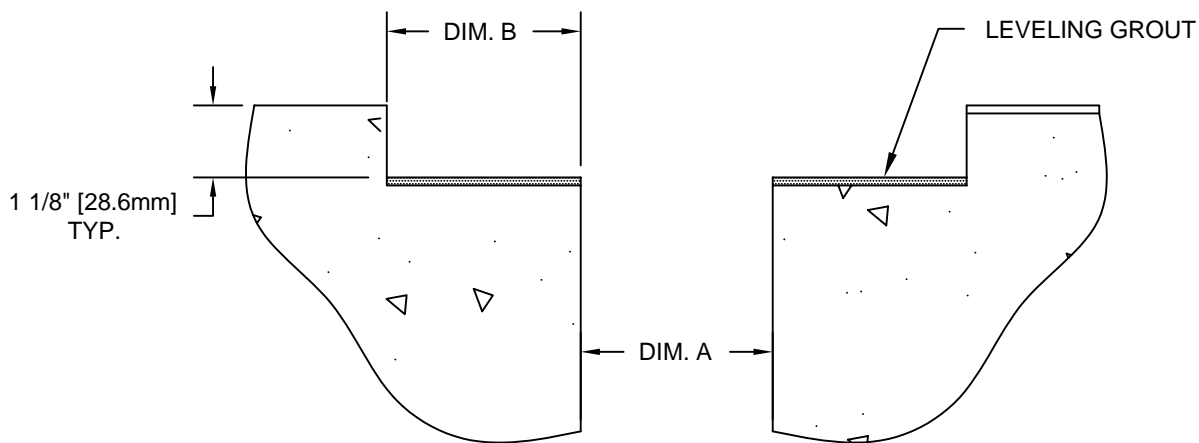
Before beginning installation, review the architectural drawings and approved Construction Specialties Inc. shop drawings to familiarize yourself with the appropriate joint cover models and locations.

Check all of the joint cover components to confirm that the correct joint cover model and size have been received. Also, check for materials that may have been damaged during shipping. Report all incorrect and/or damaged components to C/S at 800-233-8493.

Read through all the steps of these instructions prior to beginning work.

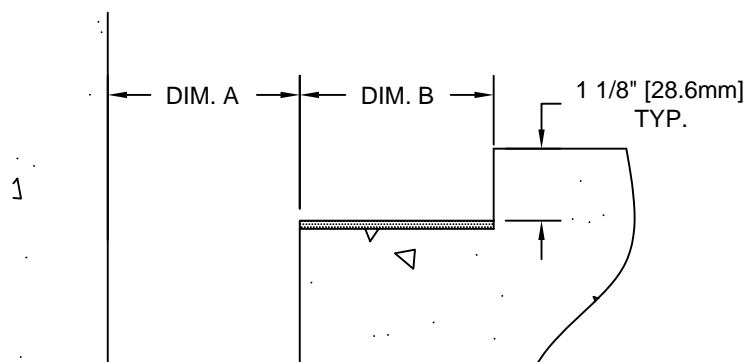
# STEP 1

## PREPARE BLOCKOUTS



MODEL-SJPF

BLOCKOUT DIMENSIONS	
DIM. A	DIM. B
1" [25.4mm]	3-1/2" [88.9mm]
2" [50.8mm]	3" [76.2mm]
3" [76.2mm]	3" [76.2mm]

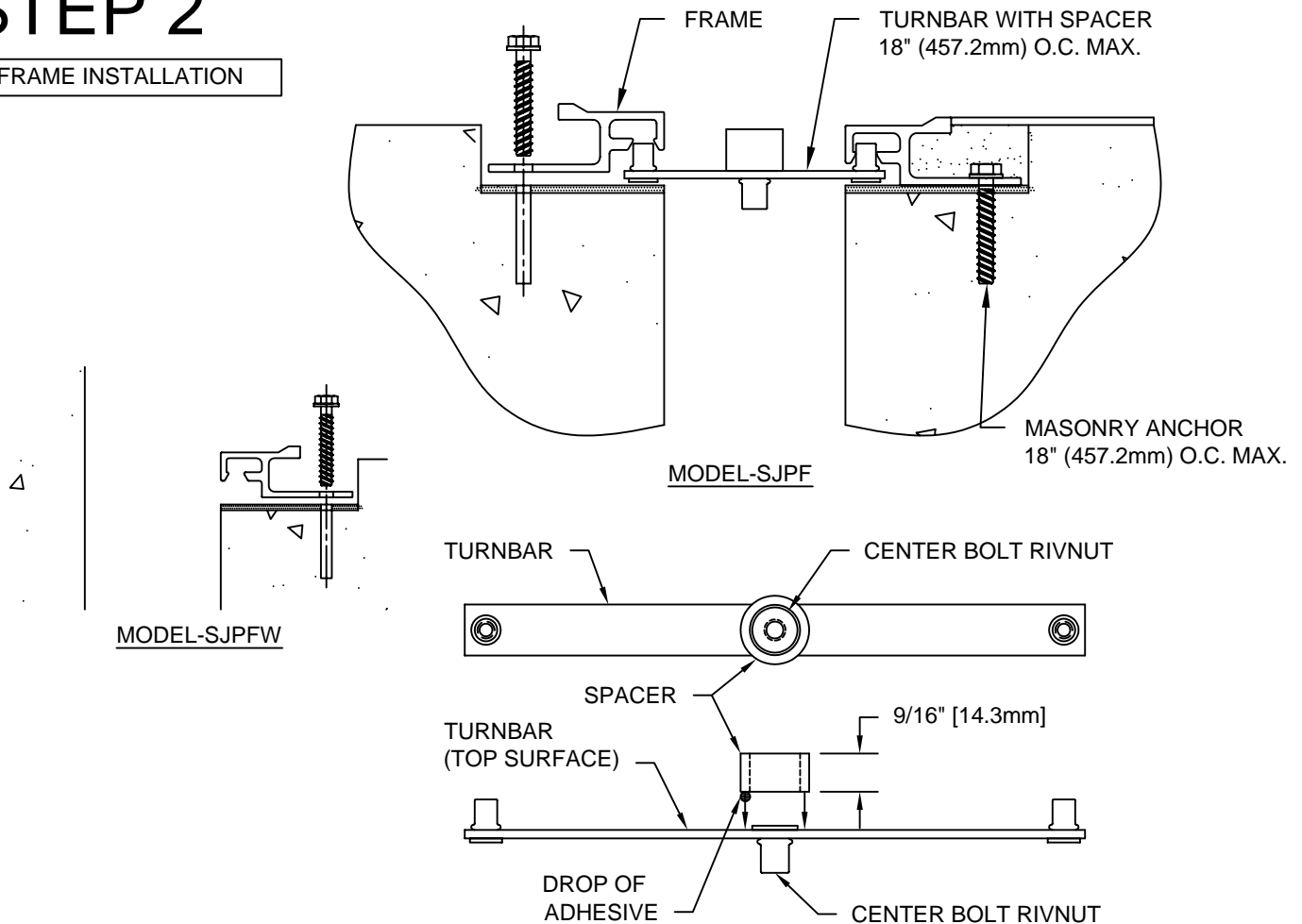


MODEL-SJPFW

- 1.1) The blockouts must be prepared to receive the joint cover.
  - The blockout width (Dim. B) will vary with model as indicated above or as noted on the C/S shop drawings.
  - The blockout depth will typically be 1-1/8" (28.6mm).
  - Blockout depth may be adjusted to accommodate a floor finish material when req'd and as indicated on the architectural drawings and/or C/S shop drawings.
  - It is recommended that the blockout be formed a minimum of 1/8" deeper to allow the blockouts to be leveled for installation of the joint cover.
  - Apply a high-strength leveling grout to the base of the blockouts to provide a continuous, solid, flat and level base for the joint cover. (Note: The blockouts must be level across the width of the joint.)

# STEP 2

## FRAME INSTALLATION



### Note:

- If a C/S Fire Barrier is to be installed in the joint, please review the Fire Barrier Installation Instructions supplied, and if required install the Fire Barrier **BEFORE** installation of C/S Seismic Expansion Joint Aluminum Frames.
- If a Waterstop is to be installed in the joint, please review the Waterstop Installation Instructions supplied, and if required install the Waterstop **BEFORE** installation of C/S Seismic Expansion Joint Aluminum Frames.

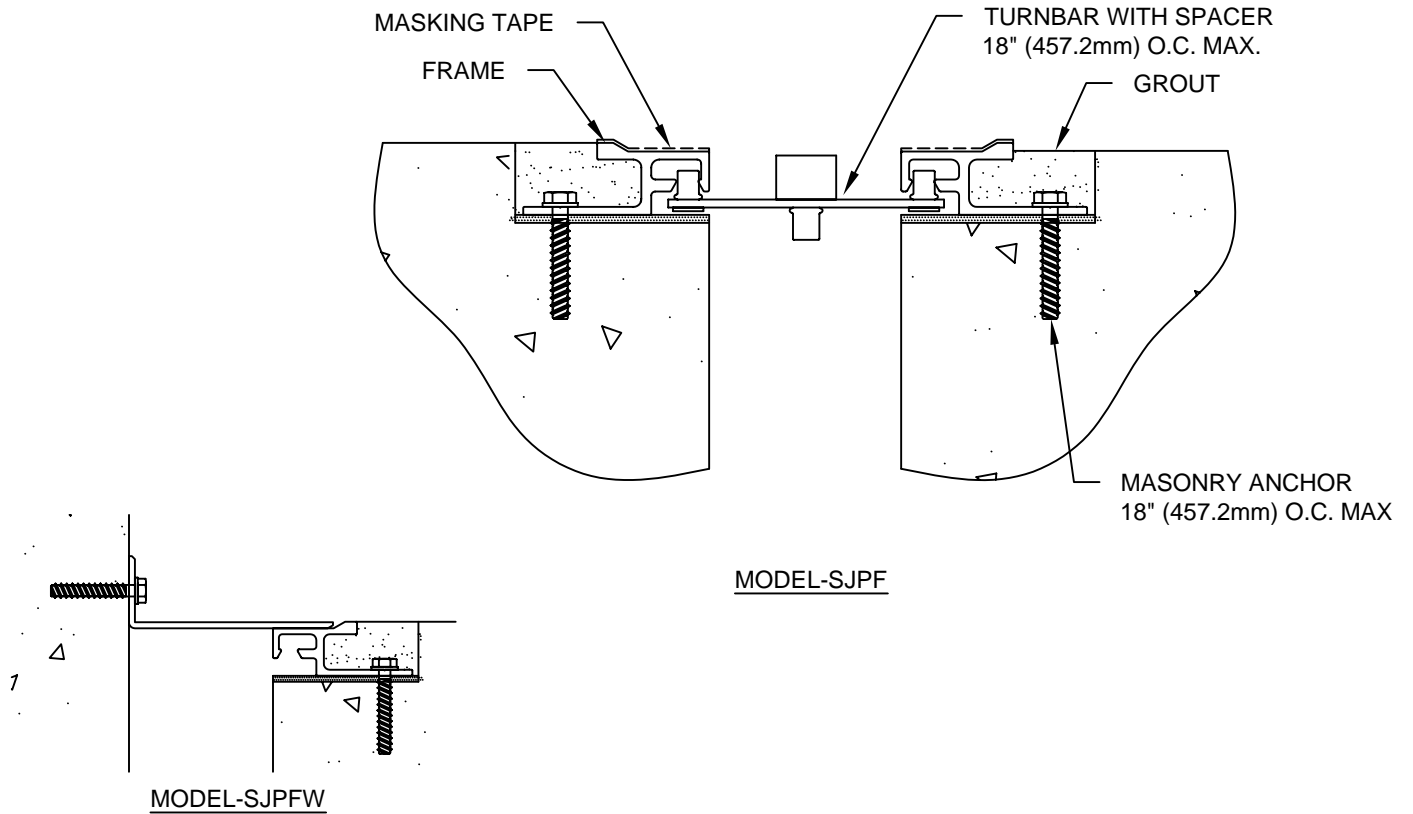
- 2.1) Place a small drop of "super glue" adhesive (not supplied) onto one end of a Spacer.
- 2.2) Position the end of the Spacer with the adhesive against the top surface of the Turnbar, centered over the flat head portion of the Center Bolt Rivnut. (See detail above.)
- 2.3) Press firmly for a few seconds until the Spacer is bonded to the Turnbar.
- 2.4) Install the Frame by placing a length of Frame into the blockout. Cut the Frame to length as needed. The Frame is to sit level, flat and parallel to the edge of the joint. The Frame should not overhang the edge of the slab or sit above the top surface of the slab (except to accommodate floor finish).
- 2.5) Using the Frame as a template, mark the locations in the blockout for the anchor bolts. Remove the Frame and drill the holes for the anchor bolts. The holes are to be drilled with the appropriate size and type of drill bit as indicated by the manufacturer of the anchor bolts, as supplied by C/S.
- 2.6) Place Turnbars 18" (457.2mm) on center maximum into Frame, reposition and anchor the Frame to the slab with the C/S supplied anchor bolts following the manufacturer's guidelines. Note: All Turnbars should be angled in the same direction.
- 2.7) Repeat the installation procedures for any additional lengths of Frame or the Frame at the opposite side of the joint if required.

### Floor to Wall applications:

- 2.1w) Same installation procedure as above, except the Turnbars are not used in this installation.

# STEP 3

## GROUT FILL BLOCKOUTS



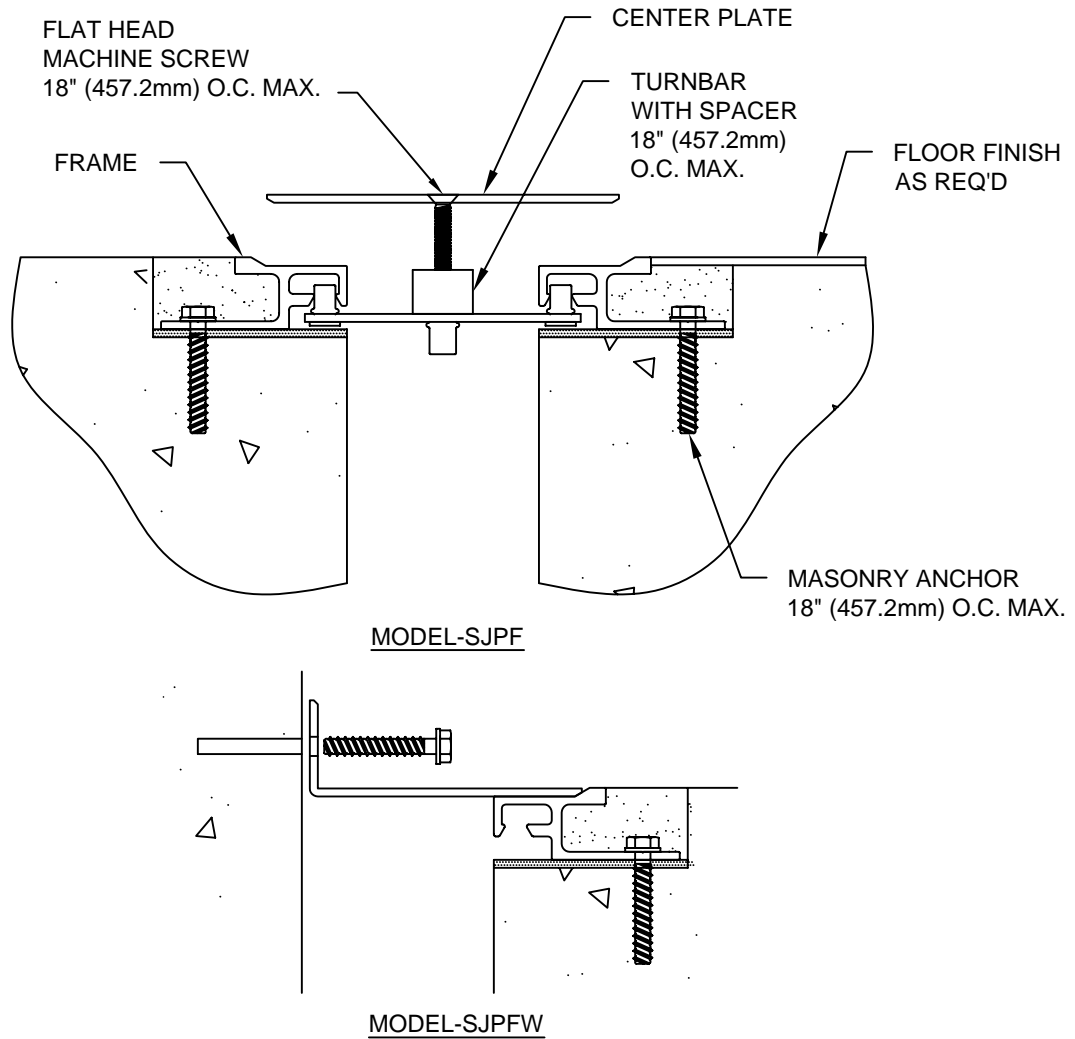
3.1) Protect Frames with masking tape.

3.2) Apply grout in blockout on both sides of the expansion joint using an epoxy cement grout. The grout must be poured level with the blockout.

3.3) Remove masking tape after grouting.

# STEP 4

## CENTER PLATE INSTALLATION



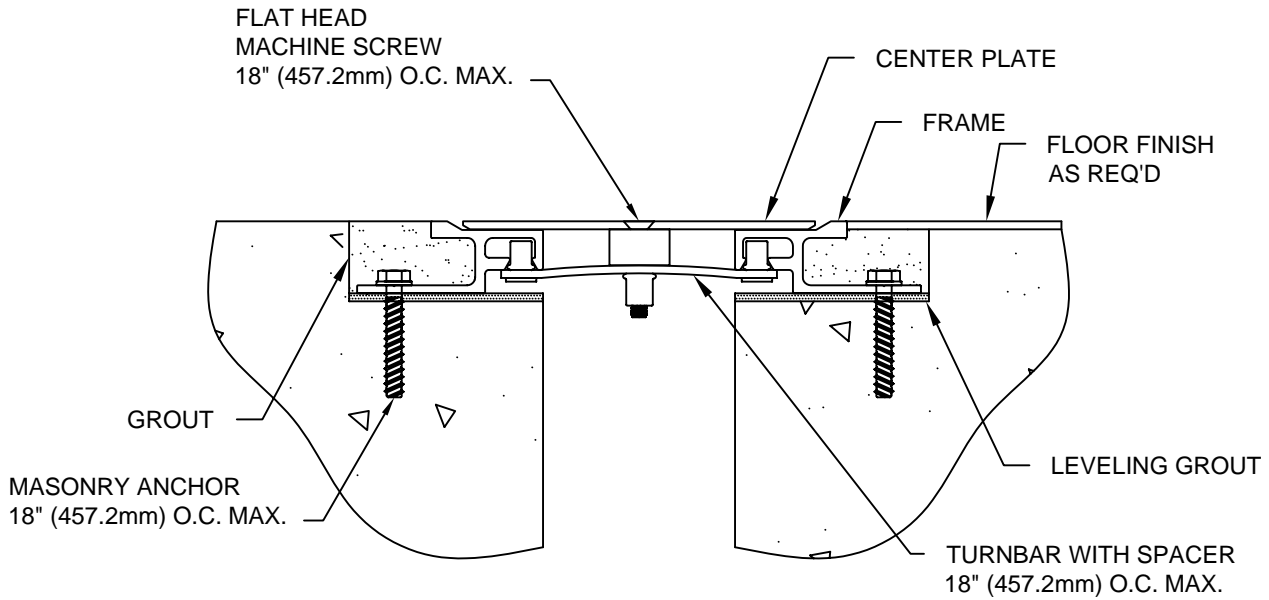
- 4.1) Prepare Center Plate for installation by first cutting the Plate to length as needed.
- 4.2) Position the Center Plate on the Frames over the joint.
- 4.3) Align the Turnbars with the holes in the Center Plate.
- 4.4) Attach the Center Plate to the Turnbars using the C/S supplied machine screws.
- 4.5) Repeat this installation procedure for any additional lengths of Center Plate.

### Floor to Wall applications:

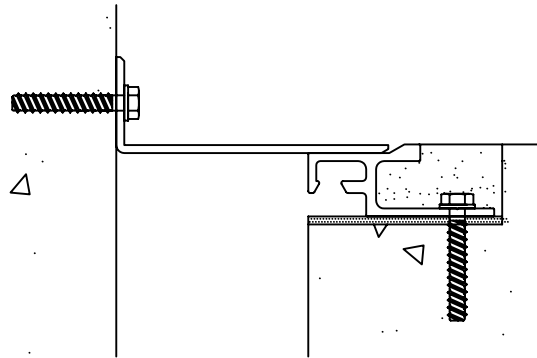
- 4.1w) Prepare Center Plate for installation by first cutting the Plate to length as needed.
- 4.2w) Place Center Plate on top of Frame and slide vertical leg of the Center Plate against surface of the wall.
- 4.3w) Attach Center Plate to wall using the C/S supplied wall fasteners at 18" (457.2mm) on center maximum.
- 4.4w) Repeat this installation procedure for any additional lengths of Center Plate.
- 4.5w) Install finish floor as req'd.

# STEP 5

## COMPLETE INSTALLATION



MODEL-SJPF



- 5.1) When installation of the Joint Cover has been completed, remove all residue and foreign matter from the area and joint cover.
- 5.2) Clean the C/S Joint Cover and adjoining surfaces with proper cleaner.
- 5.3) Protect the Joint Cover until the Architect's final inspection.