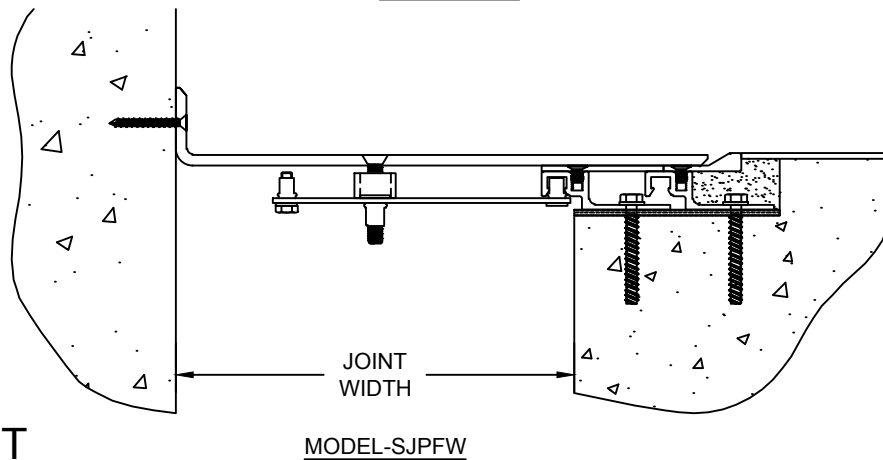
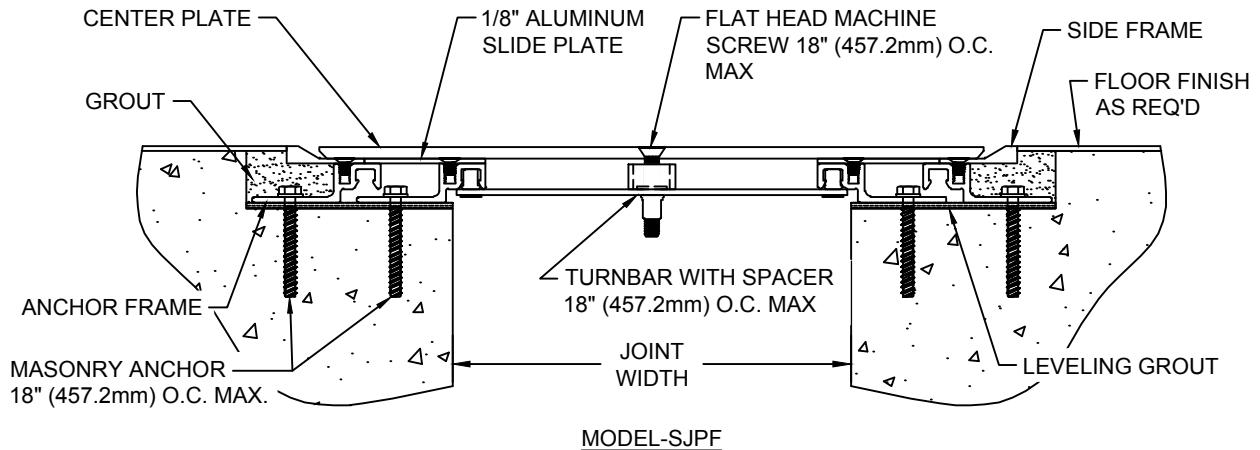


MODEL SJPF & SJPFW 900 THRU 1600 INSTALLATION INSTRUCTIONS

12EW



IMPORTANT INFORMATION

Prior to the commencement of Installation, all materials MUST be inspected for Damage. Any damage must be reported to CONSTRUCTION SPECIALTIES, INC., as soon as possible, so that replacement materials may be furnished without delay.

All work must be completed as per Architect's Approved "Shop Drawings", and in accordance with these Installation Instructions. When installation is complete, all materials must be protected from damage until the Architect's FINAL INSPECTION.

All materials should be arranged in the order that they are to be installed. All hardware required for each portion of the work should be placed with the appropriate materials.

Please review all Approved Shop Drawings and this Document to familiarize yourself with all the details and components of this assembly.

IMPORTANT:

READ THROUGH ALL INSTRUCTIONS PRIOR TO STARTING INSTALLATION

8/19/2015

Notes:

Before beginning installation, review the architectural drawings and approved Construction Specialties Inc. shop drawings to familiarize yourself with the appropriate joint cover models and locations.

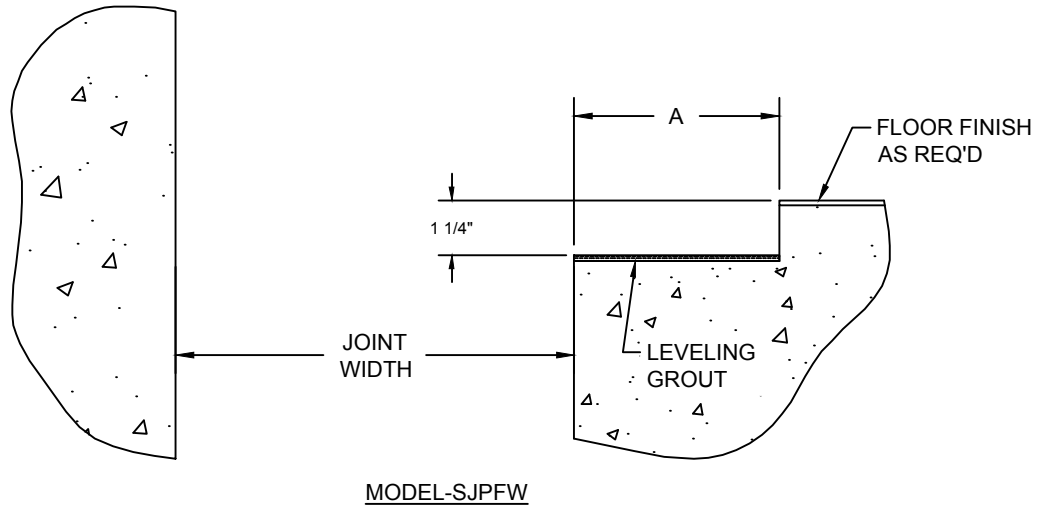
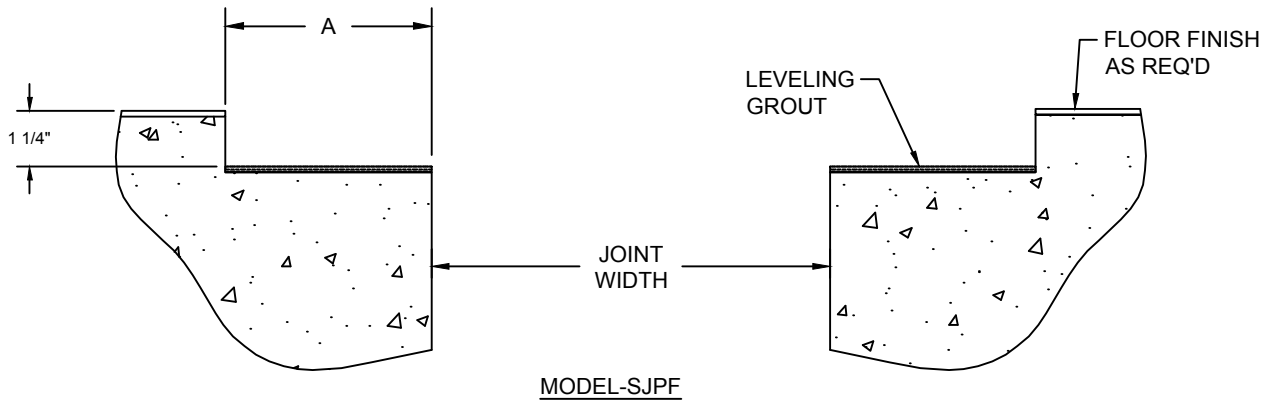
Check all of the joint cover components to confirm that the correct joint cover model and size have been received. Also, check for materials that may have been damaged during shipping. Report all incorrect and/or damaged components to C/S at 800-233-8493.

Read through all the steps of these instructions prior to beginning work.

STEP 1

PREPARE BLOCKOUTS

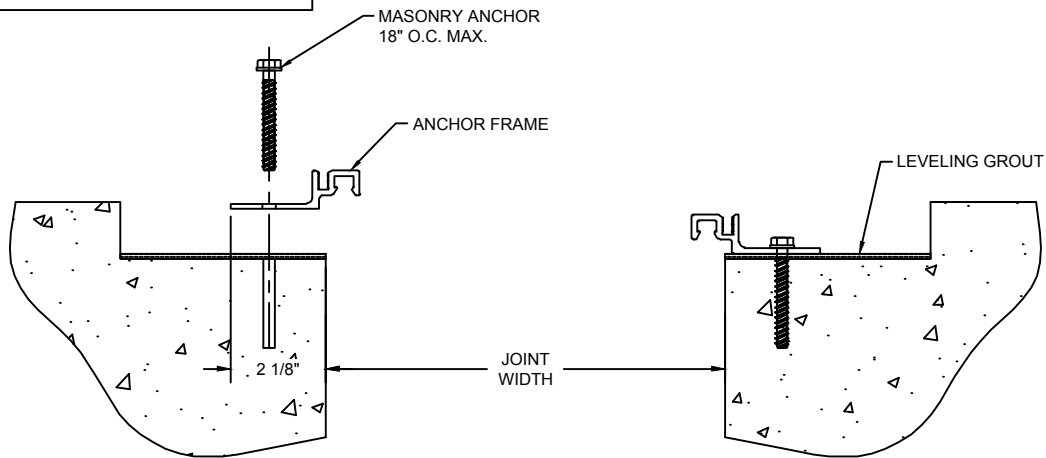
BLOCKOUT DIMENSIONS	
JT. SIZE	DIM. A
9"	4 5/8" [117.5mm]
10"	4 5/8" [117.5mm]
11"	4 5/8" [117.5mm]
12"	4 7/8" [123.8mm]
13"	5 1/8" [130.2mm]
14"	5 3/8" [136.5mm]
15"	5 5/8" [142.9mm]
16"	5 7/8" [149.2mm]



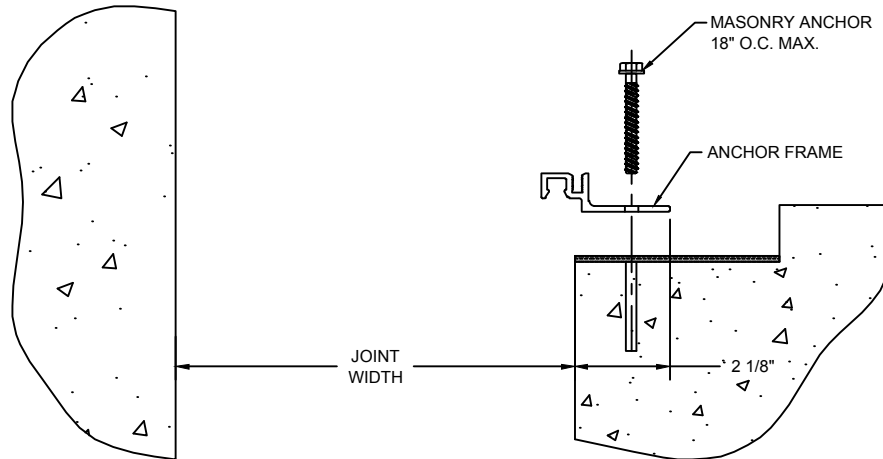
- 1.1) The blockouts must be prepared to receive the joint cover.
- The blockout width will vary with model, see DIM. A in chart above or as noted on the CS shop drawings.
 - The blockout depth will typically be 1-1/4" (31.8mm).
 - Blockout depth may be adjusted as needed to accommodate a floor finish material when req'd and as indicated on the architectural drawings and/or C/S shop drawings.
 - It is recommended that the blockout be formed a minimum of 1/8" deeper to allow the blockouts to be leveled for installation of the joint cover.
 - Apply a high-strength leveling grout to the base of the blockouts to provide a continuous, solid, flat and level base for the joint cover. (Note: The blockouts must be level across the width of the joint.)

STEP 2

INNER ANCHOR FRAME INSTALLATION



MODEL-SJPF



MODEL-SJPFW

Note:

-If a C/S Fire Barrier is to be installed in the joint, please review the Fire Barrier Installation Instructions supplied, and if required install the Fire Barrier **BEFORE** installation of C/S Seismic Expansion Joint Aluminum Frames.

-If a Waterstop is to be installed in the joint, please review the Waterstop Installation Instructions supplied, and if required install the Waterstop **BEFORE** installation of C/S Seismic Expansion Joint Aluminum Frames.

- 2.1) The Anchor Frame is located at 2 1/8" back from the joint edge to the Anchor Frame leg. (See above) Begin installation of the Anchor Frame by placing a length of Anchor Frame into the blockout and cut to length as needed. The Anchor Frame is to sit level, flat and parallel to the edge of the joint. The Anchor Frame should not sit above the top surface of the slab (except to accommodate floor finish).
- 2.2) Using the Anchor Frame as a template, mark the locations in the blockout for the anchor bolts. Remove the Anchor Frame and drill the holes for the anchor bolts. The holes are to be drilled with the appropriate size and type of drill bit as indicated by the manufacturer of the anchor bolts, as supplied by C/S.
- 2.3) Repeat the installation procedures for any additional lengths of Anchor Frame or the Anchor Frame at the opposite side of the joint if required.

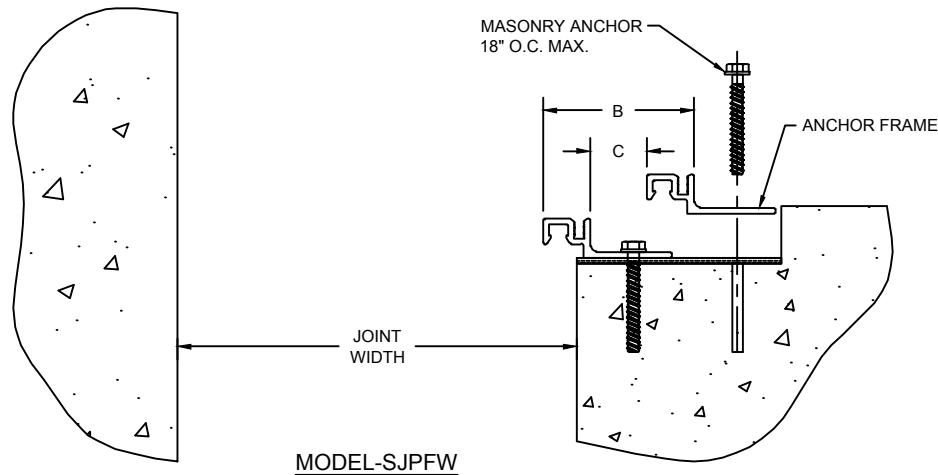
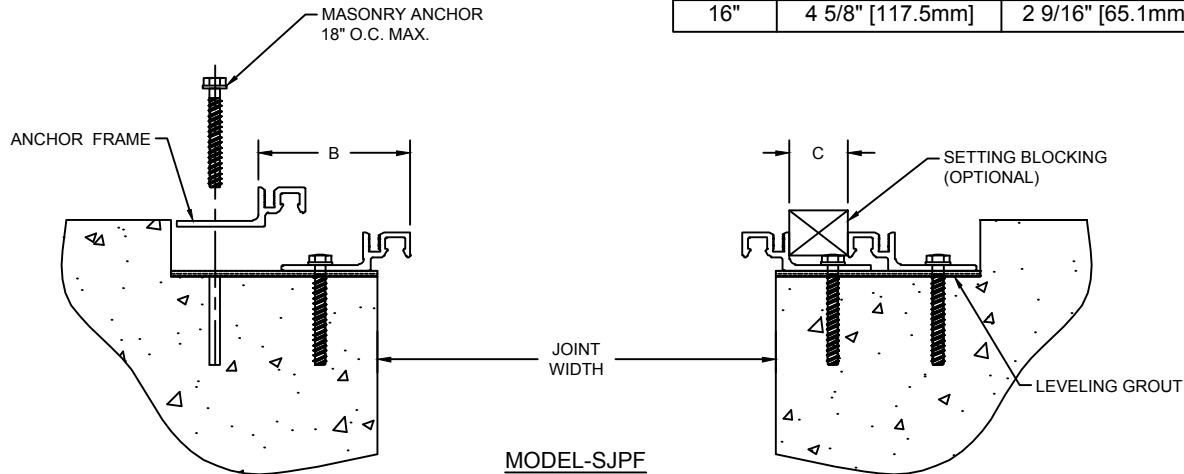
Floor to Wall applications:

- 2.1w) Same installation procedure as above.

STEP 3

OUTER ANCHOR FRAME INSTALLATION

BLOCKOUT DIMENSIONS		
JT. SIZE	DIM. B	DIM. C
9"	3 3/8" [85.7mm]	1 5/16" [33.3mm]
10"	3 3/8" [85.7mm]	1 5/16" [33.3mm]
11"	3 3/8" [85.7mm]	1 5/16" [33.3mm]
12"	3 5/8" [92.1mm]	1 9/16" [39.7mm]
13"	3 7/8" [98.4mm]	1 13/16" [46.0mm]
14"	4 1/8" [104.8mm]	2 1/16" [52.4mm]
15"	4 3/8" [111.1mm]	2 5/16" [61.9mm]
16"	4 5/8" [117.5mm]	2 9/16" [65.1mm]



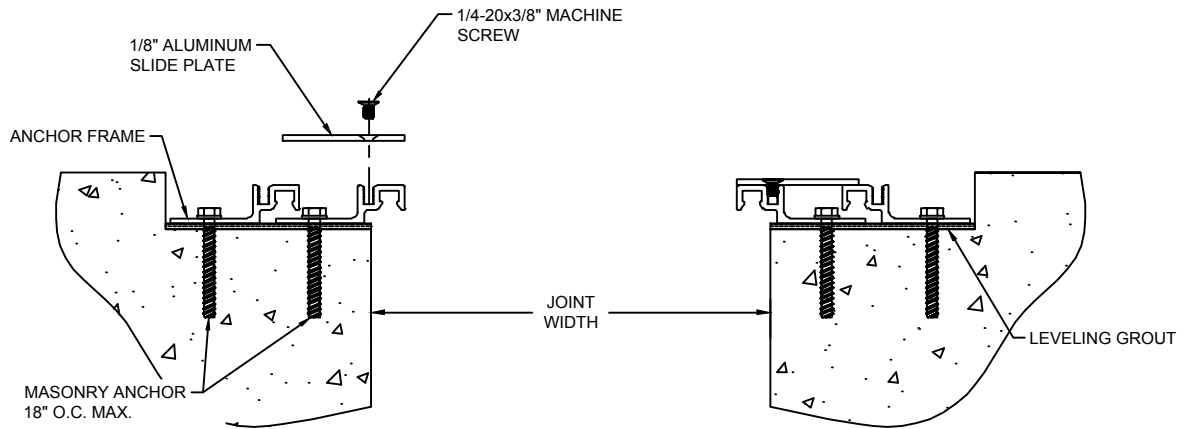
- 3.1) See chart above for Dim "B" to locate the outer Anchor Frame. (An optional setting block can be used to locate the correct placement of the outer Anchor Frame using dimension "C" in the above chart.) Begin installation of the Outer Anchor Frame by placing a length of Anchor Frame into the blockout. Cut the Anchor Frame to length as needed. The Anchor Frame is to sit level, flat and parallel to the edge of the joint. The Anchor Frame should be placed at the dimensions shown in the above chart.
- 3.2) Using the Anchor Frame as a template, mark the locations in the blockout for the anchor bolts. Remove the Anchor Frame and drill the holes for the anchor bolts. The holes are to be drilled with the appropriate size and type of drill bit as indicated by the manufacturer of the anchor bolts, as supplied by C/S.
- 3.3) Repeat the installation procedures for any additional lengths of outer Anchor Frame or the outer Anchor Frame at the opposite side of the joint if required.

Floor to Wall applications:

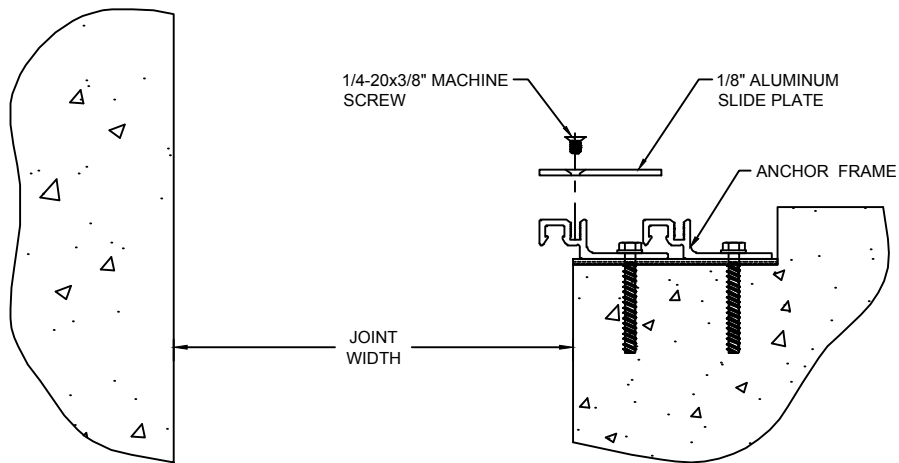
- 3.4w) Same installation procedure as above.

STEP 4

SLIDE PLATE INSTALLATION



MODEL-SJPF



MODEL-SJPFW

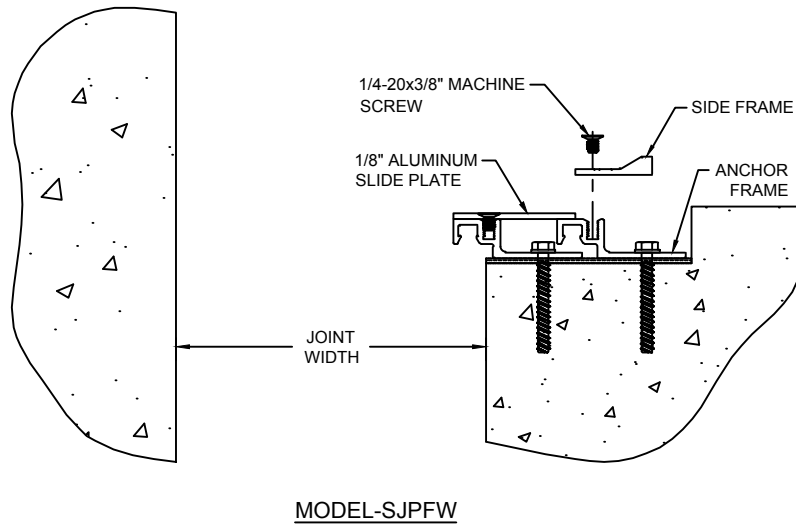
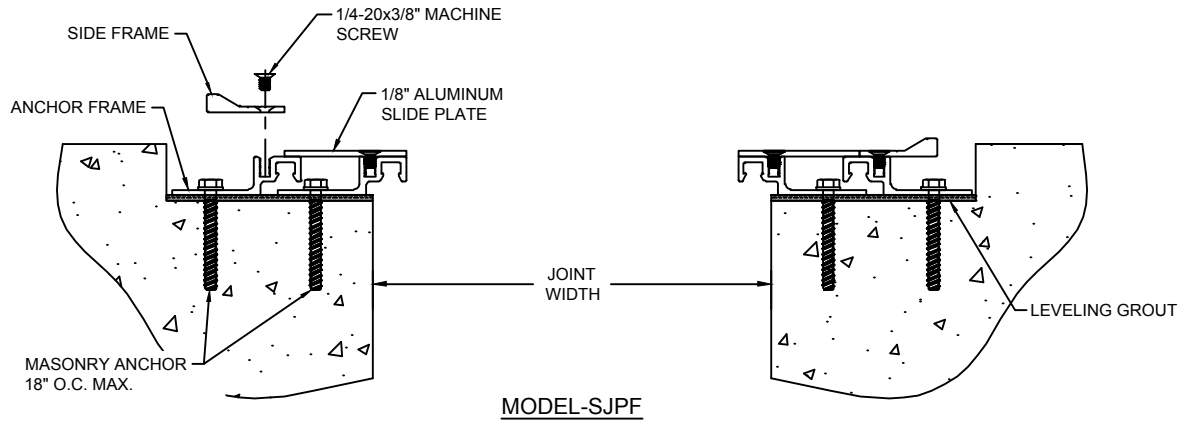
- 4.1) Prepare Slide Plate for installation by first cutting the Plate to length as needed
- 4.2) Position the Slide Plate over the inner Anchor Frame at the joints edge, aligning the end of the Slide Plate with the end of the Anchor Frame. (See details above)
- 4.3) The Slide Plate is attached to the inner Anchor Frame with a C/S supplied machine screws and rest on the outer Anchor Frame. (See details above)

Floor to Wall applications:

- 4.4w) Same installation procedure as above.

STEP 5

SIDE FRAME INSTALLATION



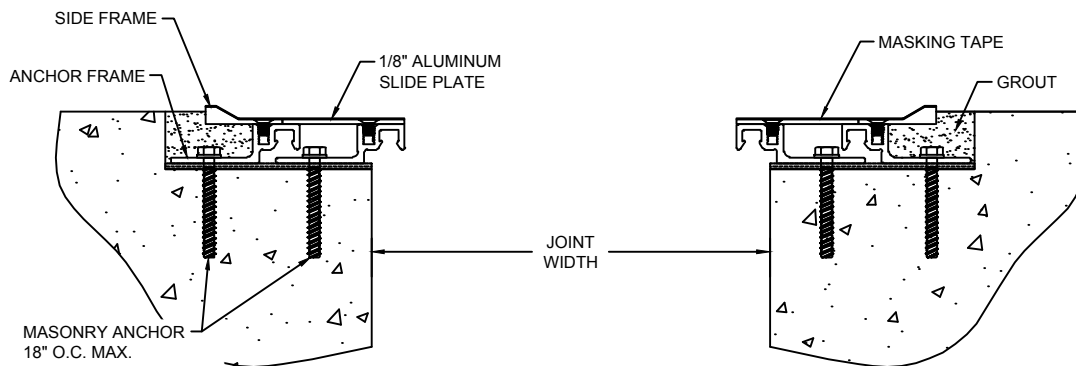
- 5.1) Begin installation of Side Frame by placing a length of the Side Frame onto the Anchor Frame, in the orientation shown above. Cut the Side Frame to length as needed.
- 5.2) Align machine screw holes of the Side Frame with the screw slot of the Anchor Frame. Attach the Side Frame to the Anchor Frame with the C/S supplied machine screws.
- 5.3) Repeat the installation procedures for any additional lengths of Side Frame at the opposite side of the joint if required.

Floor to Wall applications:

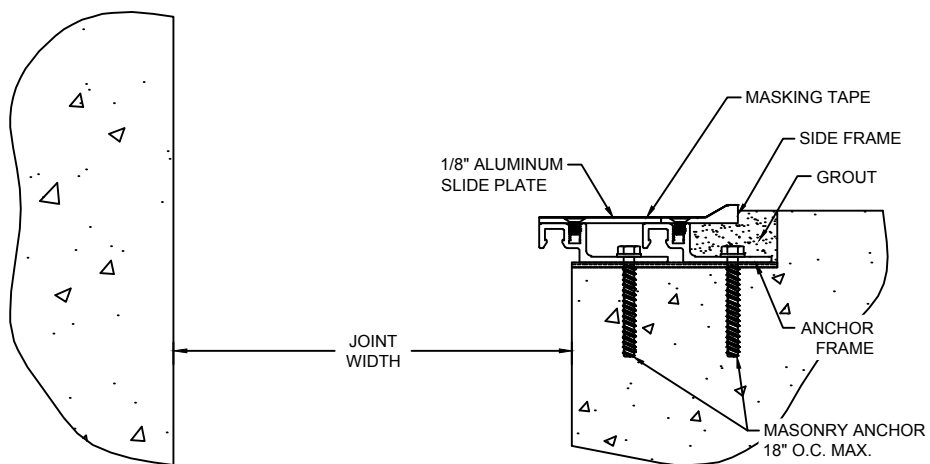
- 5.4w) Same installation procedure as above.

STEP 6

GROUT FILL BLOCKOUTS



MODEL-SJPF

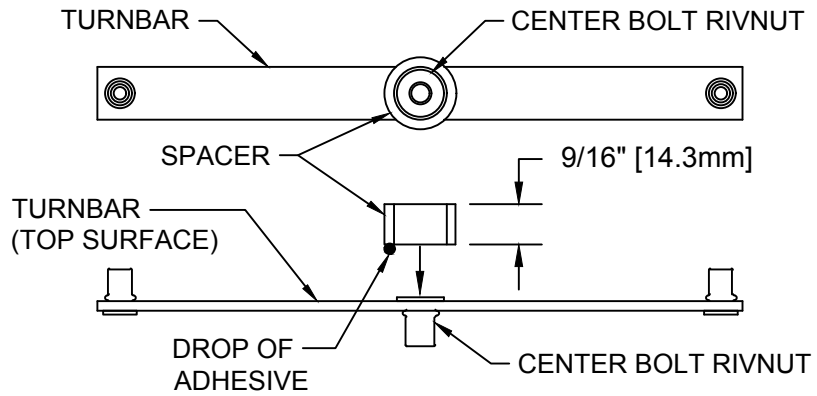


MODEL-SJPFW

- 6.1) Protect Frames with masking tape.
- 6.2) Apply grout in blockout on both sides of the expansion joint using an epoxy cement grout. The grout must be poured level with the blockout.
- 6.3) Remove tape after grouting.

STEP 7

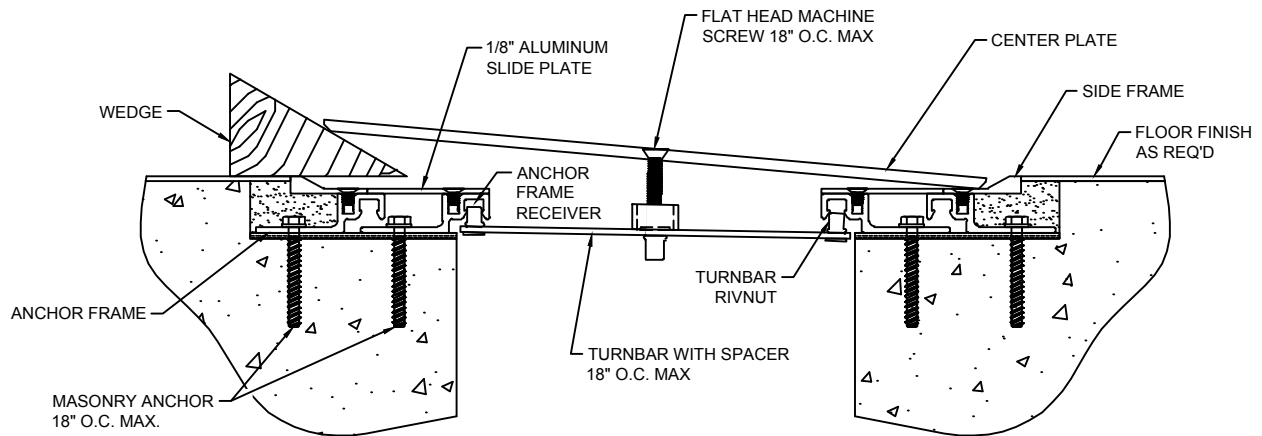
SPACER INSTALLATION



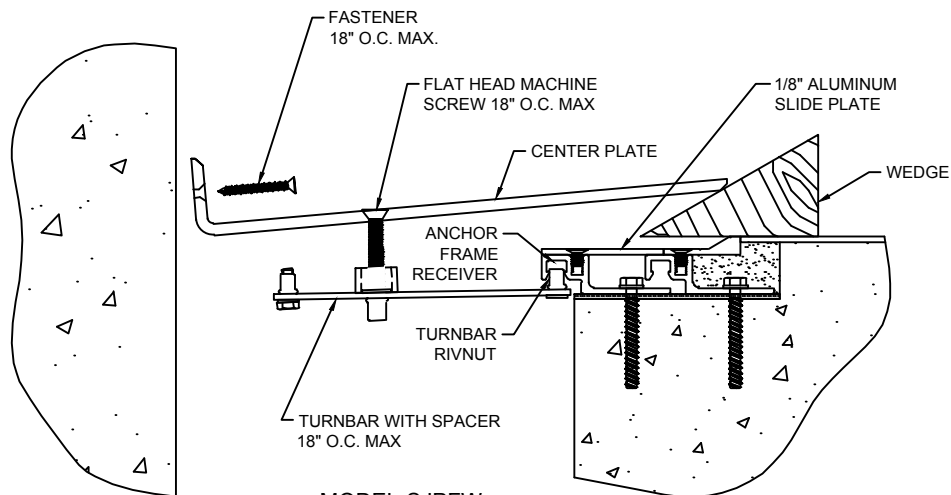
- 7.1) Place a small drop of "super glue" adhesive (not supplied) onto one end of a Spacer.
- 7.2) Position the end of the Spacer with the adhesive against the top surface of the Turnbar, centered over the flat head portion of the Center Bolt Rivnut. (See detail above.)
- 7.3) Press firmly for a few seconds until the Spacer is bonded to the Turnbar.

STEP 8

CENTER PLATE INSTALLATION



MODEL-SJPF



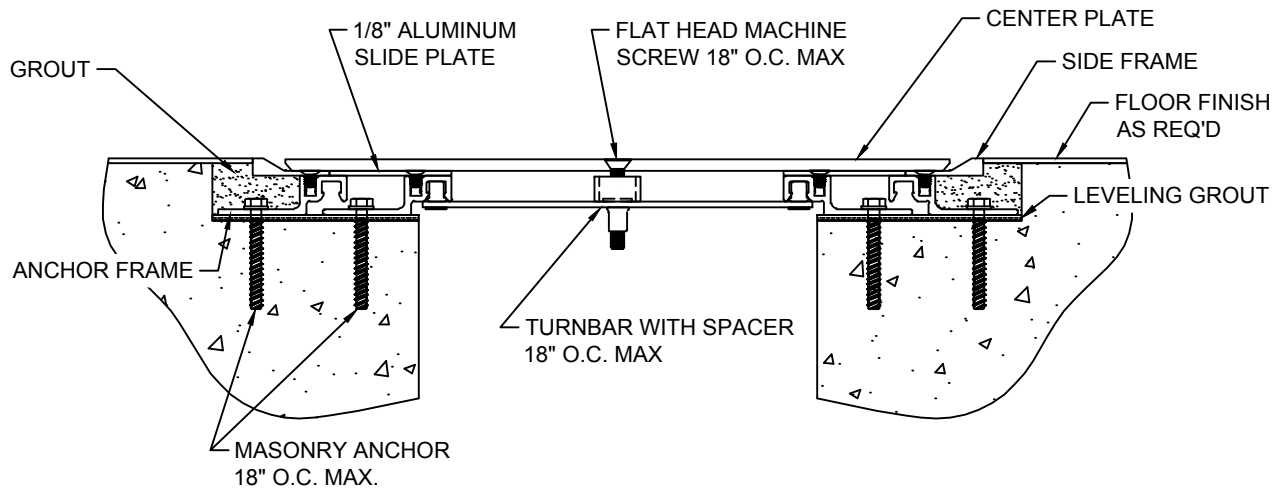
MODEL-SJPFW

NOTE: Install floor finish (if required) prior to installation of Center Plate.

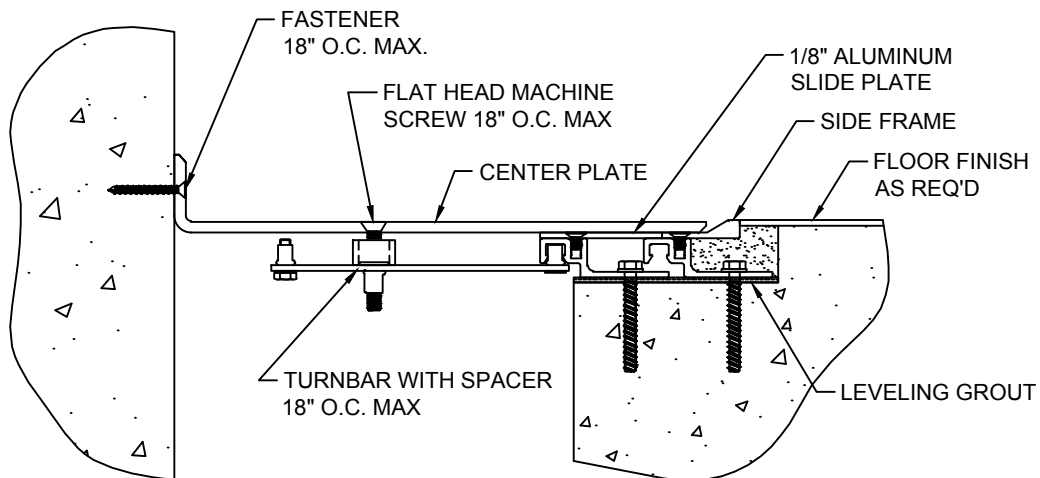
- 8.1) Prepare Center Plate for installation by first cutting the Plate to length as needed.
- 8.2) Attach a Turnbar to the backside of the Center Plate at each hole location. (Note the orientation of the Turnbar in the detail above. All Turnbars should be angled in the same direction.) Thread a machine screw only approx. 1/4" into the Turnbar for now.
- 8.3) Place the Center Plate/Turnbar Assembly against one side of the Seismic Expansion Joint at an angle that will allow hand penetration underneath the Center Plate. With the Center Plate in this position, reach in and locate the rivnut on the end Turnbar and place into the Anchor Frame receiver(s) on each side of the joint. (See details above)
- 8.4) Slide a wedge block beneath the Center Plate to hold the Turnbar securely into position.
- 8.5) Repeat this procedure with the Turnbar at the opposite end of the Center Plate.
- 8.6) Locate each of the remaining Turnbars into position, then progressively tighten all machine screws until the Center Plate is securely fastened onto the Frame System.

STEP 9

COMPLETE INSTALLATION



MODEL-SJPF



MODEL-SJPFW

- 9.1) When installation of the Joint Cover has been completed, remove all residue and foreign matter from the area and joint cover.
- 9.2) Clean the C/S Joint Cover and adjoining surfaces with proper cleaner.
- 9.3) Protect the Joint Cover until the Architect's final inspection.