

SJPF & SJPFW Series

Technical Data:

Aluminum

- Extrusion – C/S uses multiple alloys & tempers which are established to be the most appropriate for the given use of individual parts. Will be one of the following: (6063-T5, T6, T52) (6061-T5, T6, T51) (6105-T5, T6) (6005-T5) (6005A-T5, T61), ASTM B221
- Sheet – 6061-T6, 3003-H14, 5005-H34, ASTM B209

Turnbar

- Material – C1075 Blue Temper Spring Steel
- Hardness - RC 44-47
- Finish - "A" Coating (Corrosion Protection)

Standard Loading

- 500 lbs.

Product Description:

This flush mounted metal floor cover is designed for interior or exterior applications. The joint can be designed for up to 100% movement.

Use This Cover For:

- Interior or exterior seismic applications.
- Applications requiring movements up to 100% of joint width.
- Larger sizes available (contact factory).
- Optional waterstop available for wet areas.

Performance Characteristics:

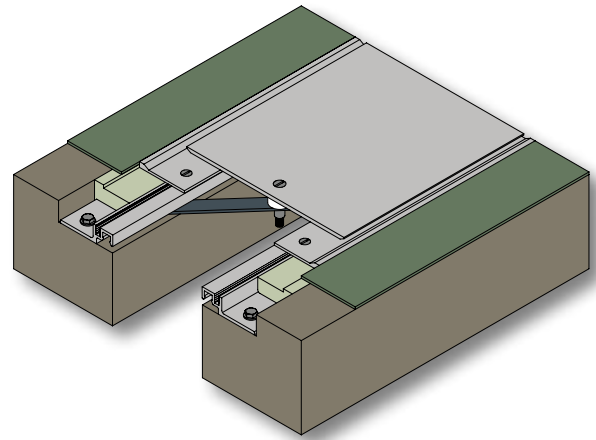
Self-centering aluminum center plate remains flush during thermal movement, but temporarily displaces and slides over floor surface during seismic movement.

Standard Finishes:

Mill finish. Aluminum surfaces in contact with concrete will be protected with a minimum 2 mil coating of a heavy metal free high solids primer.

Installation Guidelines:

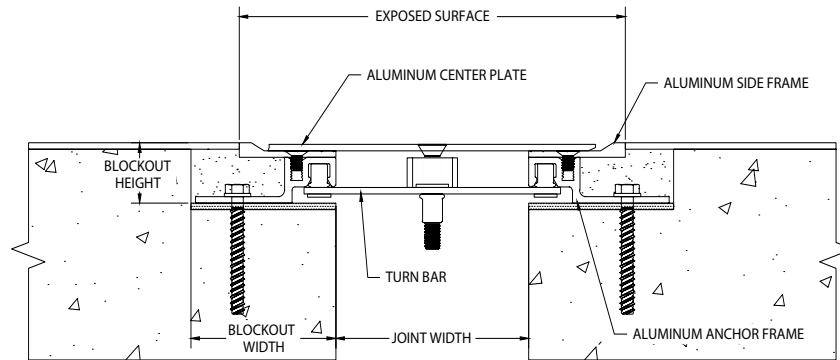
The blockouts must be prepared to receive the joint cover. It is recommended that the blockout be formed a minimum of 1/8" deeper to allow the base to be leveled prior to installation of the joint cover. Apply a high-strength leveling grout to the base of the blockouts to provide a continuous, solid, flat and level base for the joint cover. (Note: The blockouts must be level across the joint opening.) Install base frames with C/S supplied fasteners. Fasten cover plate to frames with turnbar. Based on the size of the joint, there are recommended tips and tricks for installation at this point. For complete installation instructions, please visit www.c-sgroup.com



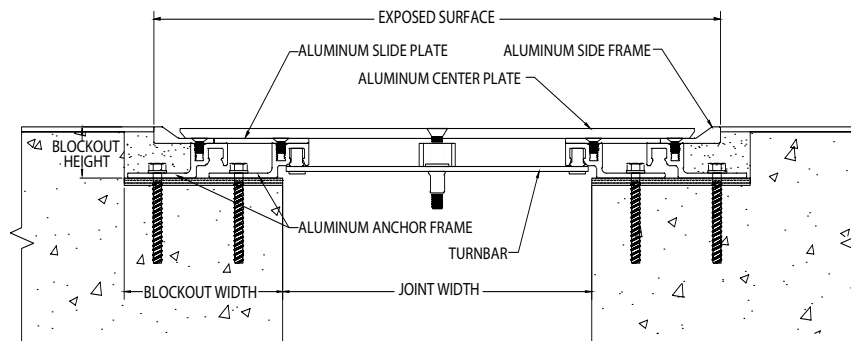
Capable of Lateral Movement

MODEL	JOINT WIDTH	MINIMUM OPENING	MAXIMUM OPENING	EXPOSED SURFACE	BLOCKOUT WIDTH	BLOCKOUT HEIGHT
SJPF-100	1.00" (25mm)	0.38" (10mm)	3.00" (76mm)	5.50" (140mm)	3.50" (89mm)	1.13" (29mm)
SJPF-200	2.00" (51mm)	1.00" (25mm)	4.00" (102mm)	5.50" (140mm)	3.00" (76mm)	1.13" (29mm)
SJPF-300	3.00" (76mm)	1.00" (25mm)	4.63" (118mm)	6.50" (165mm)	3.00" (76mm)	1.13" (29mm)
SJPF-400	4.00" (102mm)	1.00" (25mm)	6.50" (165mm)	8.00" (203mm)	3.00" (76mm)	1.13" (29mm)
SJPF-500	5.00" (127mm)	1.00" (25mm)	7.50" (191mm)	10.00" (254mm)	3.00" (76mm)	1.13" (29mm)
SJPF-600	6.00" (152mm)	1.00" (25mm)	9.88" (251mm)	11.50" (292mm)	3.00" (76mm)	1.13" (29mm)
SJPF-700	7.00" (178mm)	1.13" (29mm)	10.88" (276mm)	12.50" (318mm)	3.00" (76mm)	1.13" (29mm)
SJPF-800	8.00" (203mm)	1.06" (27mm)	12.25" (311mm)	14.50" (368mm)	3.38" (86mm)	1.25" (32mm)
SJPF-900	9.00" (229mm)	2.50" (64mm)	13.88" (353mm)	15.81" (402mm)	4.25" (108mm)	1.25" (32mm)
SJPF-1000	10.00" (254mm)	2.50" (64mm)	16.38" (416mm)	17.00" (432mm)	4.38" (111mm)	1.25" (32mm)
SJPF-1100	11.00" (279mm)	2.50" (64mm)	18.13" (461mm)	18.50" (470mm)	4.63" (118mm)	1.25" (32mm)
SJPF-1200	12.00" (305mm)	2.50" (64mm)	18.25" (464mm)	20.00" (508mm)	4.88" (124mm)	1.25" (32mm)
SJPF-1300	13.00" (330mm)	2.50" (64mm)	21.00" (533mm)	21.50" (546mm)	5.13" (130mm)	1.25" (32mm)
SJPF-1400	14.00" (356mm)	2.50" (64mm)	22.50" (572mm)	23.00" (584mm)	5.38" (137mm)	1.25" (32mm)
SJPF-1500	15.00" (381mm)	2.50" (64mm)	22.50" (572mm)	24.50" (622mm)	5.63" (143mm)	1.25" (32mm)
SJPF-1600	16.00" (406mm)	2.50" (64mm)	25.50" (648mm)	26.00" (660mm)	5.88" (149mm)	1.25" (32mm)

Contact factory for larger sizes.



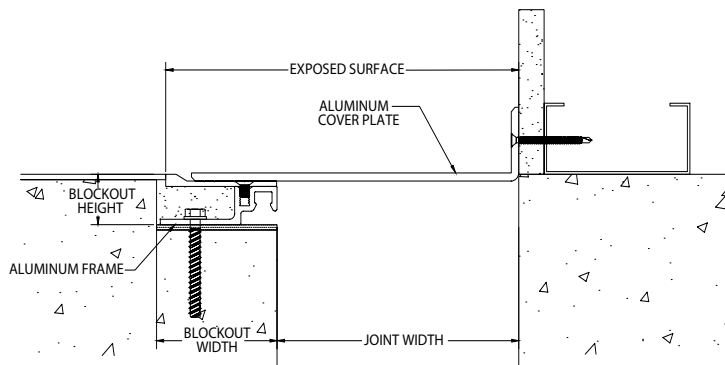
SJPF 100-800



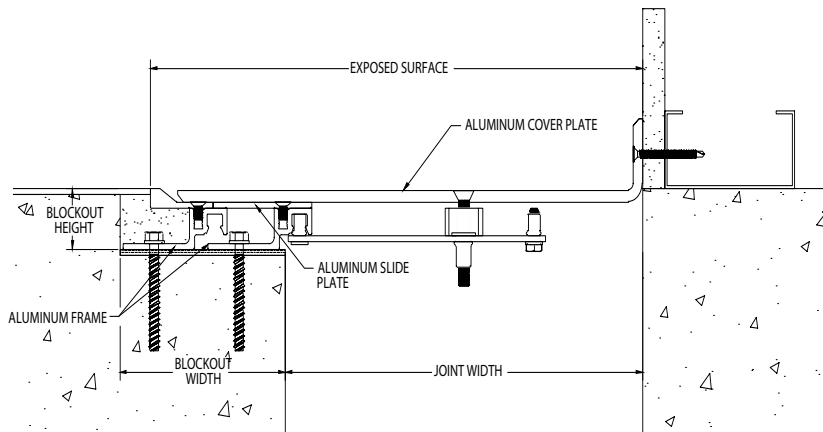
SJPF 900-1600

MODEL	JOINT WIDTH	MINIMUM OPENING	MAXIMUM OPENING	EXPOSED SURFACE	BLOCKOUT WIDTH	BLOCKOUT HEIGHT
SJPFW-100	1.00" (25mm)	0.00" (0mm)	2.00" (51mm)	3.25" (83mm)	3.38" (86mm)	1.13" (29mm)
SJPFW-200	2.00" (51mm)	0.00" (0mm)	3.00" (76mm)	3.75" (95mm)	3.00" (76mm)	1.13" (29mm)
SJPFW-300	3.00" (76mm)	0.00" (0mm)	3.81" (97mm)	4.75" (121mm)	3.00" (76mm)	1.13" (29mm)
SJPFW-400	4.00" (102mm)	0.00" (0mm)	5.25" (133mm)	6.00" (152mm)	3.00" (76mm)	1.13" (29mm)
SJPFW-500	5.00" (127mm)	0.00" (0mm)	6.25" (159mm)	7.50" (191mm)	3.00" (76mm)	1.13" (29mm)
SJPFW-600	6.00" (152mm)	0.00" (0mm)	7.94" (202mm)	8.75" (222mm)	3.00" (76mm)	1.13" (29mm)
SJPFW-700	7.00" (178mm)	4.06" (103mm)	9.00" (229mm)	9.75" (248mm)	3.00" (76mm)	1.13" (29mm)
SJPFW-800	8.00" (203mm)	4.50" (114mm)	10.00" (254mm)	11.25" (286mm)	3.38" (86mm)	1.25" (32mm)
SJPFW-900	9.00" (229mm)	4.75" (121mm)	12.13" (308mm)	12.44" (316mm)	4.25" (108mm)	1.25" (32mm)
SJPFW-1000	10.00" (254mm)	6.25" (159mm)	13.19" (335mm)	13.50" (343mm)	4.38" (111mm)	1.25" (32mm)
SJPFW-1100	11.00" (279mm)	6.75" (171mm)	14.44" (367mm)	14.75" (375mm)	4.63" (118mm)	1.25" (32mm)
SJPFW-1200	12.00" (305mm)	7.25" (184mm)	15.75" (400mm)	16.00" (406mm)	4.88" (124mm)	1.25" (32mm)
SJPFW-1300	13.00" (330mm)	7.75" (197mm)	17.00" (432mm)	17.25" (438mm)	5.13" (130mm)	1.25" (32mm)
SJPFW-1400	14.00" (356mm)	8.25" (210mm)	18.19" (462mm)	18.50" (470mm)	5.38" (137mm)	1.25" (32mm)
SJPFW-1500	15.00" (381mm)	8.81" (224mm)	19.50" (495mm)	19.75" (502mm)	5.63" (143mm)	1.25" (32mm)
SJPFW-1600	16.00" (406mm)	9.31" (236mm)	20.75" (527mm)	21.00" (533mm)	5.88" (149mm)	1.25" (32mm)

Contact factory for larger sizes.



SJPFW 100-600



SJPFW 700-1600